



TS 77

Door Closer

dormakaba 

The economical solution

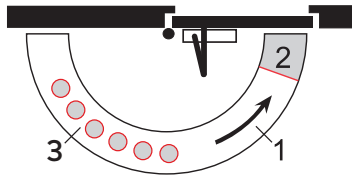
for standard doors

- Non-handed, suitable for standard, parallel arm and frame installation.
- Fully controlled closing cycle.
- Surface finish for optimum corrosion protection.
- Available with rectangular SSS cover (optional extra).

Data and features		TS 77	
Closing force	Size	EN 3	EN 4
Standard doors up to	≤ 950 mm	●	-
	≤ 1100 mm	-	●
External doors, opening outwards		-	-
Non-handed		●	●
Arm assembly type	Standard	●	●
	Slide channel	-	-
Closing force variable at adjustment screw		-	-
Closing speed variable by valve adjustment		●	●
Backcheck		-	-
Delayed Action		-	-
Hold-open		○	○
Weight in kg		1.7	
Dimensions in mm	Length	180	
	Overall depth	65	
	Height	43	

● yes ○ optional - no

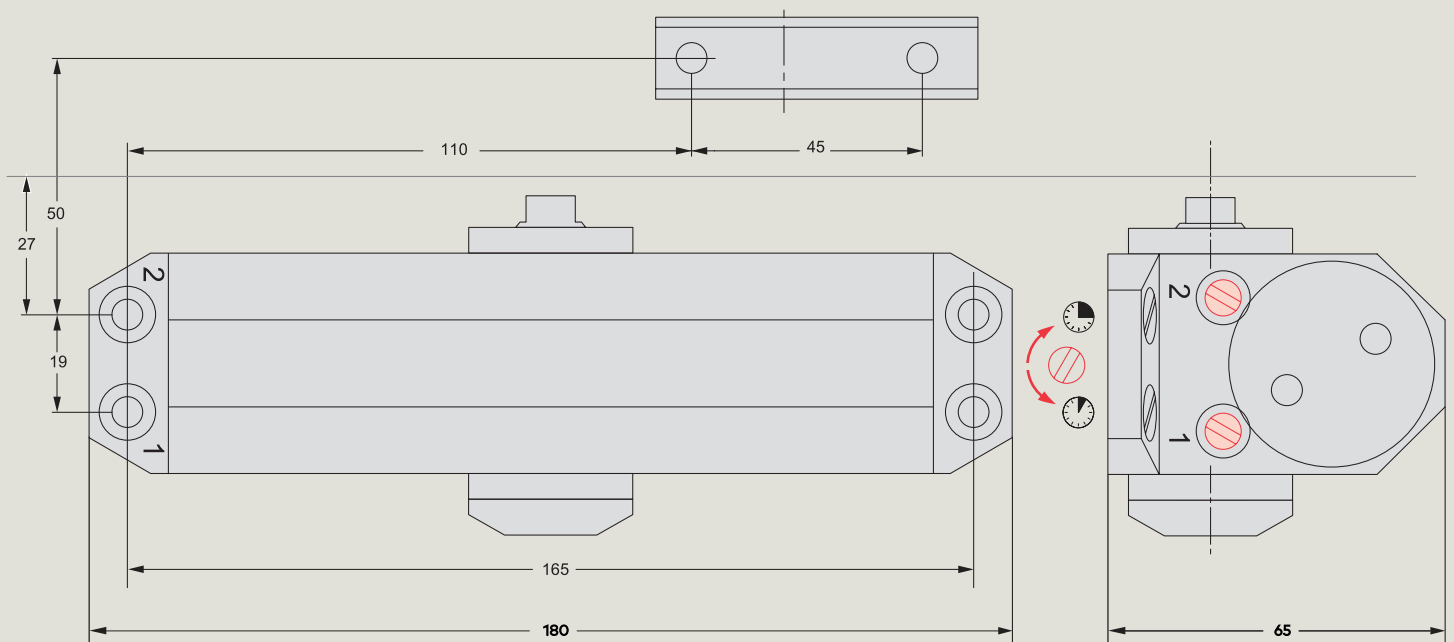
Standard and optional functions



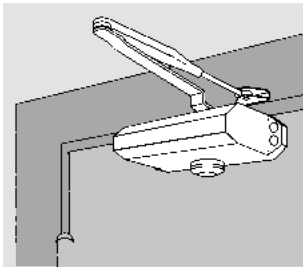
Example
left-hand (ISO 6) door,
pull side fixing

- 1 Fully controlled closing with speed adjustable between 180° or 120° and 20°
- 2 Adjustable latching action adjustable between 20° and 0°

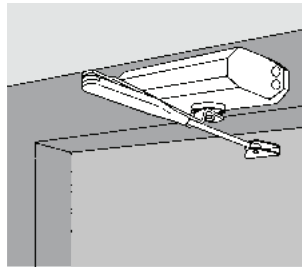
- 3 Hold-open range if equipped with hold-open arm (optional extra)



Applications and fixing

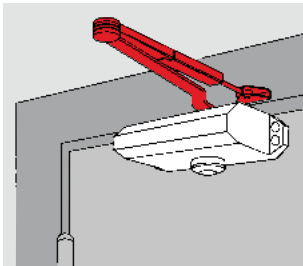


On the pull side
Door leaf fixing (standard)

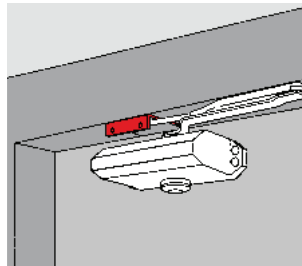


On the push side
Transom fixing (overhead installation)

Accessories



With hold-open arm assembly
for temporary door hold-open
(optional extra)



Parallel arm
for parallel arm assembly
(optional extra)

Specification text

Rack-and-pinion door closer with hydraulically fully controlled closing cycle, non-handed.

Model

- Size EN 3
- Size EN 4
- With hold-open arm

Accessories _____

Closer Colour

- Silver P600
- Gold P750
- Dark Brown P290
- White P100
- Black P190

Make

dormakaba TS 77