

## 1556 POWER PIVOT HINGE CARTRIDGES



- Concealed spring hinges for non-rise full face doors
- New design features solid steel shaft, which provides increased strength and long term durability. Will last longer than any other comparable concealed spring hinge currently offered
- High tech Polymer cam reduces wear due to friction and extends life of cams
- 2 to 3 times more door open cycles than any other comparable concealed spring hinges currently offered
- Hinge supplied with close out caps that snap on top of cartridge. Close caps eliminate issues with liquid foam infiltration through the top of cartridge
- Built in dwell keeps door open beyond 110°
- Stop hinges feature cushioning action at about 140° which protects against over-opening doors and prevents damage to door frame or adjacent equipment
- Doors close fully with self-closing, non-rise spring actuated cam action
- Self-lubricating for long maintenance free smooth operation
- Versatile, reversible cartridge assembly can be used for either right or left opening doors
- Quiet operation
- 2-year limited warranty, longest warranty available in marketplace

### 1556 Power Cartridge Assemblies

#### 1556-304

Standard clearance, approx. 140° stop. Heavy spring.

#### 1556-308

Minimal clearance, no stop. Light spring.

Order cartridges and brackets separately.

### Cartridge Specifications

#### Material

Die-cast Zamak case, acetal upper cam  
Nylon lower cam and pivot bearing

#### Finish

Chrome plated

#### Spring

Compression type music wire

#### Closing Force @ 45°:

Heavy: 36 in.-lb (4N • M)

Light: 27 in.-lb (3N • M)

#### Mounting

Countersunk for No. 10 (5.0 mm) screws

#### Load Rating

See Hinge Selector Chart on page 180, Group B

#### Packaging

48 per carton

#### Weight

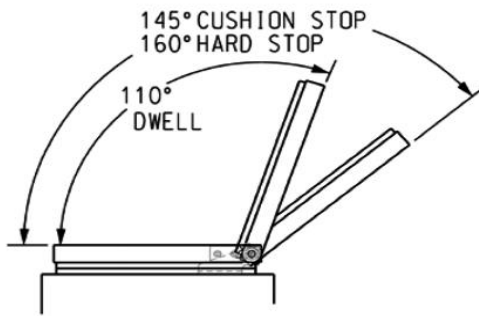
Approx. 25 lb (11.3 kg) per carton

### 1556 Power Cartridge Assemblies

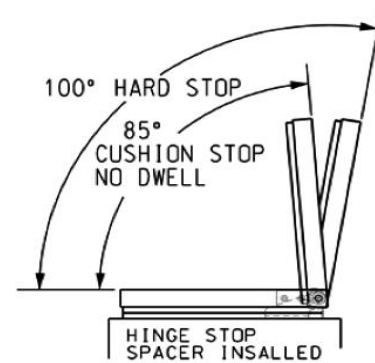
#### 1556-304

Standard clearance, approx. 140° stop. Heavy spring.

## 1556 POWER PIVOT HINGE CARTRIDGES

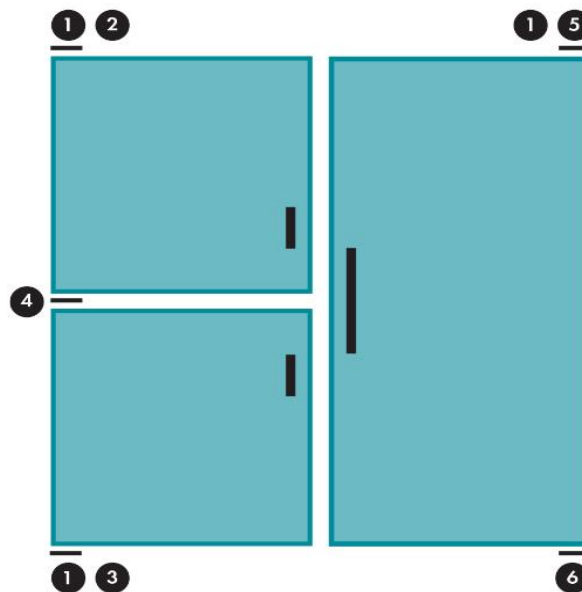


Dwell to No Spacer



Dwell to with Spacer

### How to Select Kason 1556 Series Power Cartridges and Brackets



#### Installation

- Cartridge and pivot bearing install easily; require a 7/8" (22.2 mm) square opening in top and bottom of door
- Brackets are available for a variety of fabrication requirements
- Standard brackets shown on following page
- Custom brackets can be designed to suit your specific installation

#### Assembly with Horizontal Brackets

1. Cartridge Assembly
2. Top Cartridge Bracket, LH
3. Bottom Cartridge Bracket, LH
4. Double Pivot Bracket, LH
5. Top Cartridge Bracket, RH
6. Bottom Pivot Bracket, RH



## Kason Hinge Selector

This Hinge Selector is to assist you in choosing the correct Kason hinges for commercial refrigeration, foodservice equipment, transportation, industrial and many other uses. The Load Chart, below, shows our recommended allowable load per two hinges for each hinge group.

The data applies for normal conditions under static loading by door weight only. Other factors, such as positive or negative pressure, very high gasket compression, vibration, corrosive or abrasive atmospheres, lubrication, cam life, or structural movement are not taken into account. It is the final responsibility of the users to determine the suitability and capacity required in their specific applications.

### How to use this Chart

1. Locate the weight of your door in the far left column, headed Door Weight.
2. Find the width of your door along the bottom of the chart.
3. Where the Weight and Width column intersect, find the recommended hinge group code (A, B, etc.)
4. Select your hinges from the Kason Hinge Groups

**NOTE:** If exact dimensions and weight for your door is not shown, use the next higher width and weight.

### Load Chart

Door Weight	kg	lb																					
	226.8	500		D	D	E	F	F	F	G	G	G	G	H	H	H	H	H	H	J	J	J	J
217.7	480		D	D	E	F	F	F	G	G	G	G	H	H	H	H	H	H	J	J	J	J	
208.6	460		D	D	E	F	F	F	F	G	G	G	G	H	H	H	H	H	H	J	J	J	
199.5	440		D	D	D	E	F	F	F	G	G	G	G	H	H	H	H	H	H	J	J	J	
191/2	420		D	D	D	E	F	F	F	F	G	G	G	G	H	H	H	H	H	H	H	J	
181.4	400		D	D	D	E	E	F	F	F	G	G	G	G	H	H	H	H	H	H	H	H	
172.4	380		D	D	D	D	E	F	F	F	F	G	G	G	G	G	H	H	H	H	H	H	
163.3	360		D	D	D	D	E	E	F	F	F	G	G	G	G	G	G	H	H	H	H	H	
154.2	340		D	D	D	D	E	E	F	F	F	F	G	G	G	G	G	G	H	H	H	H	
145.2	320		C	D	D	D	D	E	E	F	F	F	F	G	G	G	G	G	G	H	H	H	
136.1	300		C	D	D	D	D	E	E	E	F	F	F	F	G	G	G	G	G	G	H	H	
127.0	280		C	D	D	D	D	D	E	E	F	F	F	F	F	G	G	G	G	G	G	H	
117.9	260		C	C	D	D	D	D	D	E	E	F	F	F	F	F	G	G	G	G	G	G	
108.9	240		C	C	D	D	D	D	D	D	E	E	F	F	F	F	F	F	F	G	G	G	
99.8	220		C	C	C	D	D	D	D	D	D	E	E	E	F	F	F	F	F	F	G	G	
90.7	200		B	C	C	D	D	D	D	D	D	D	E	E	E	F	F	F	F	F	F	G	
81.7	180		B	C	C	C	D	D	D	D	D	D	D	E	E	E	E	F	F	F	F	F	
72.6	160		B	B	C	C	C	D	D	D	D	D	D	D	E	E	E	E	F	F	F	F	
63.5	140		B	B	C	C	C	C	D	D	D	D	D	D	D	D	D	E	E	E	E	F	
54.4	120		B	B	B	C	C	C	C	C	D	D	D	D	D	D	D	D	NR	NR	NR	NR	
45.4	100		B	B	B	B	B	C	C	C	C	C	D	D	D	D	D	D	NR	NR	NR	NR	
36.3	80		B	B	B	B	B	B	B	C	C	C	C	D	D	D	D	D	NR	NR	NR	NR	
27.2	60		A	A	A	A	B	B	B	B	B	B	C	C	C	NR	NR	NR	NR	NR	NR	NR	
18.1	40		A	A	A	A	A	A	A	A	A	B	B	B	C	NR	NR	NR	NR	NR	NR	NR	
9.0	20		A	A	A	A	A	A	A	A	A	A	A	A	A	NR	NR	NR	NR	NR	NR	NR	
	in.		12	15	18	21	24	27	30	33	36	39	42	45	48	51	54	57	60	63	66	69	72
	cm.		30.5	38.1	45.7	53.3	61.0	68.6	76.2	83.8	91.4	99.1	106.7	114.3	121.9	129.5	137.2	144.8	152.4	160.0	167.6	175.3	182.9
			Door Width																				

### Hinge Groups

Group	Type	Max Moment (in.-lb)	Product Families
A	Reach-In	690	0139, 0209, 0211, 0212, 0213, 0214, 0215, 0225, 1070, 1216, 1216-13, 1219, 1247*, 1257*, 1267*, 1268*, 1269*, 1367R*, 1467R*
B	Reach-In	1200	0217, 0217S, 0218, 0220, 1070A, 1071, 1220, 1510, 1511, 1512, 1513, 1521, 1522, 1530, 1531, 1532, 1533, 1556
C	Reach-In	1980	1061, 1071A, 1247*, 1257*, 1267*, 1268*, 1269*, 1367R*, 1467R*, 1550
D	Walk-In	3990	1241, 1243, 1245, 1246, 1248, 1249, 1251, 1255, 1256, 1341, 1346**
E	Walk-In	4590	1074
F	Walk-In	6930	1037, 1055, 1214, 1240, 1409, 1345***
G	Walk-In	9900	0998, 1073, 1277, 1277L, 1277S, 1277T, 1278, 1278S, 1377L, 1377, 1398
H	Walk-In	15000	1075, 1076, 1275, 1276
J	Walk-In	18000	0094
NR			Not Recommended, consult factory

\* Category A to maximize cam life and for spring versions. Reduce by 15 lb/hinge for spring option. Category C for safe static load option.  
 \*\* Maximum 220 lb up to 36" wide; Maximum 2940 in-lb beyond 36"  
 \*\*\* Maximum 9,000 in-lb, max 300 lb