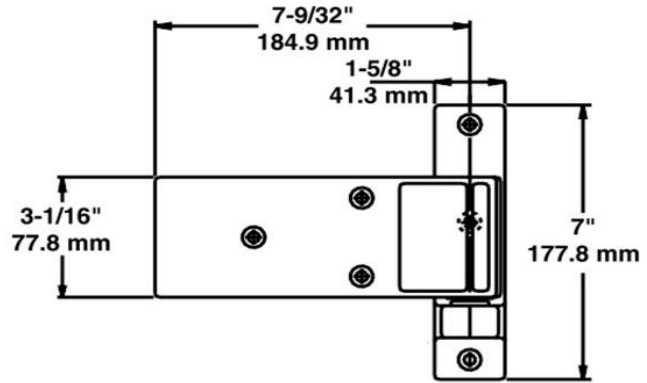


1256 PACESETTER HINGE



Specifications (Latch)

Material

High pressure die-cast zinc with self-lubricating nylon cam

Finish

See table

Offset

Flush (0.0 mm)

Packaging

6 per carton

Mounting

Drilled and countersunk for $1/4''$ (6.0 mm) flat-head screws

Load Rating

See Hinge Selector Chart, page 53, Group D

Weight

Approx. 18 lb (8.2 kg) per carton

Part No.	Description	Finish
11256V00004C	Hinge, Smooth Face	Polished Chrome
11256000004	Hinge, Textured Panel	Brushed Chrome

