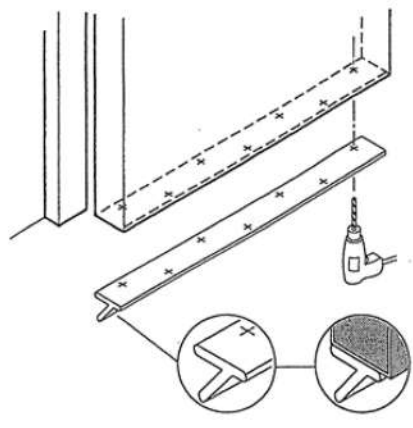
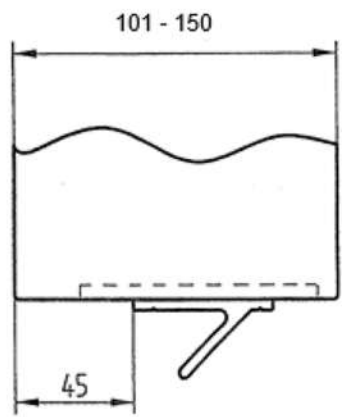


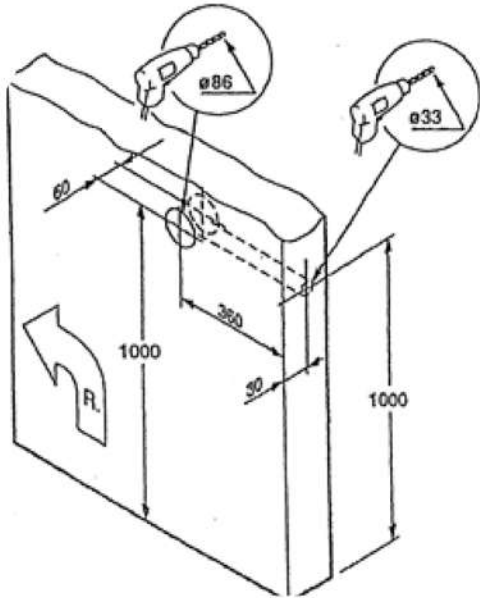
POS.	No.	Description	POS.	No.	Description
20-0110	1	1 Bottom guide angle 60-100 mm	25-0031	8A	1 Bottom gasket C 80-160 mm
20-0120	1A	1 Bottom guide angle 101-160 mm	32-5010	9	2 Fitting for gasket C
30-0301	2	1 Roller bracket, right T1200	25-0010	10	1 Gasket A
30-0361	3	1 Roller bracket, left T1200	20-1200	11	1 Sliding Rail A + B, 1200
30-0406	2A	1 Roller bracket, right T1800	20-1216	11A	1 Sliding rail A + B, 1800
30-0410	3A	1 Roller bracket, left T1800	30-0009	12	1 Limit stop-complete
30-0740	4	2 Angle for roller bracket	21-2000	13	2 Recess block 1200/1800
30-1800	6	2 Nylon roller, Ø64 mm complete	20-1220	14	2 Insert 1200/1800
35-0203	6	1 Internal handle	30-4049	16	1 Handle opening bracket complete
35-0228	7	1 External handle 60-100 mm	30-3010	16	1 Front guide fitting
35-0229	7A	1 External handle 101-160 mm	30-3060	17	1 Rear guide Fitting
25-0020	8	1 Bottom gasket B, 60-100 mm	20-0021	18	3 Alu profile, bottom, TA1
25-0031	8A	1 Bottom gasket C 80-160 mm	20-0031	19	3 Alu profile, cover, TA1
32-5010	9	2 Fitting for gasket C	20-0140	20	1 Alu profile, TC1
			20-0160	21	1 Alu profile, capping f/ 20-0140
			20-0060	22	1 Alu profile, TB



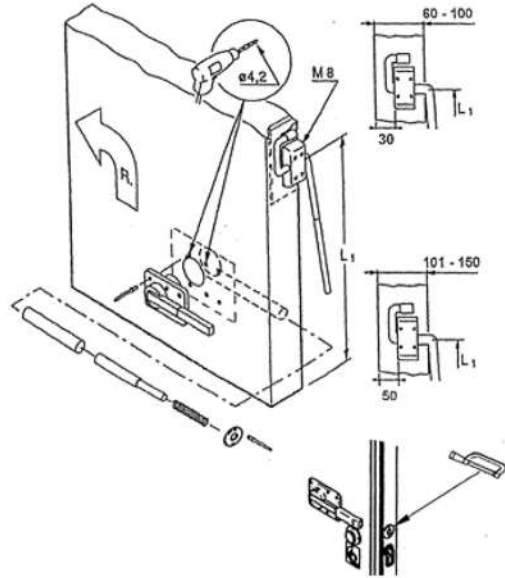
Fitting of bottom guide angle



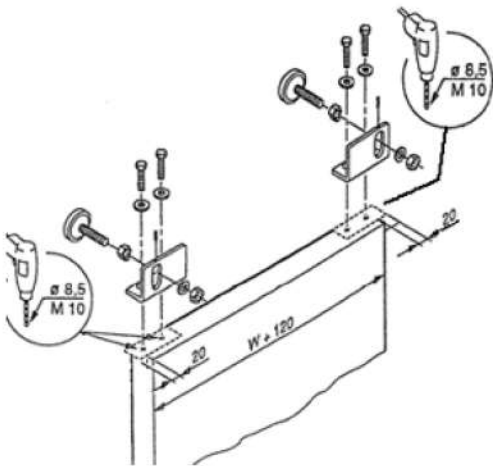
Placing of bottom guide angle



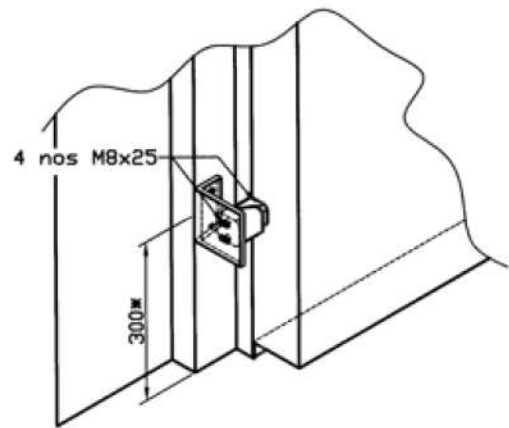
Placing of internal handle



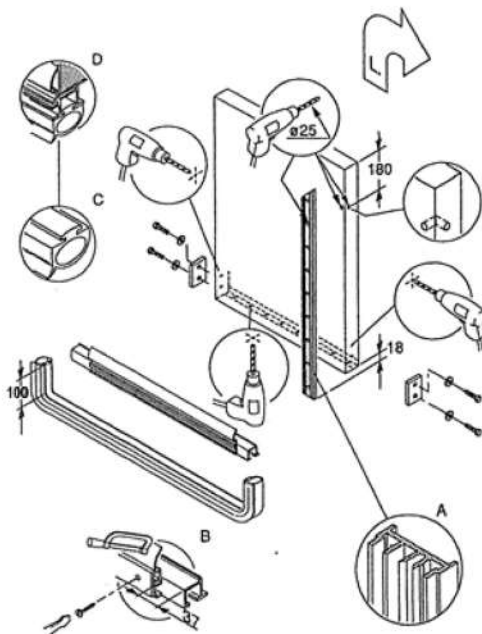
Fitting of internal and external handle



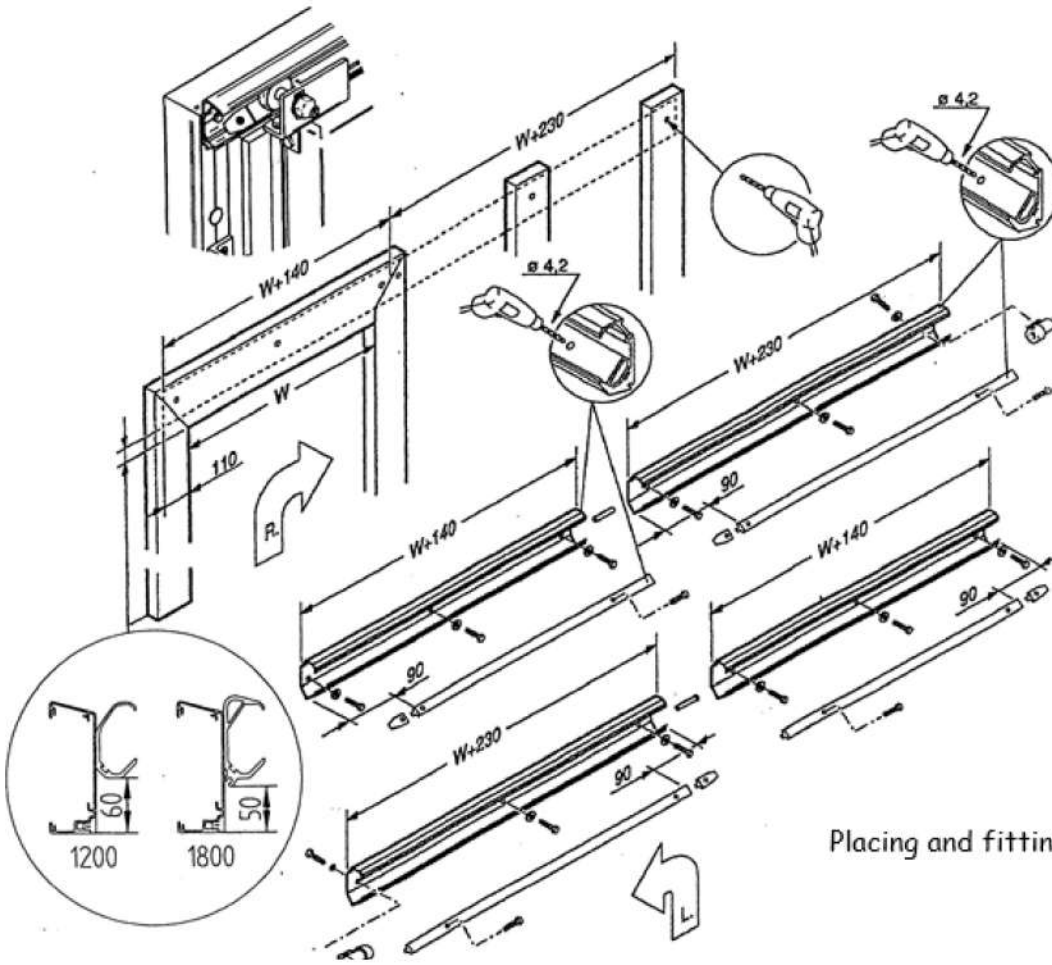
Fitting of top brackets, angles and rollers



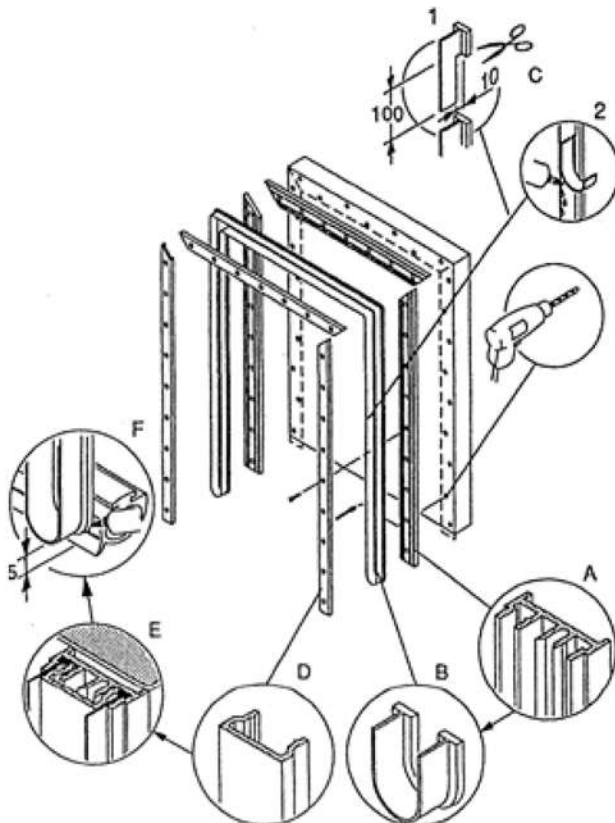
Fitting bottom guide at wall



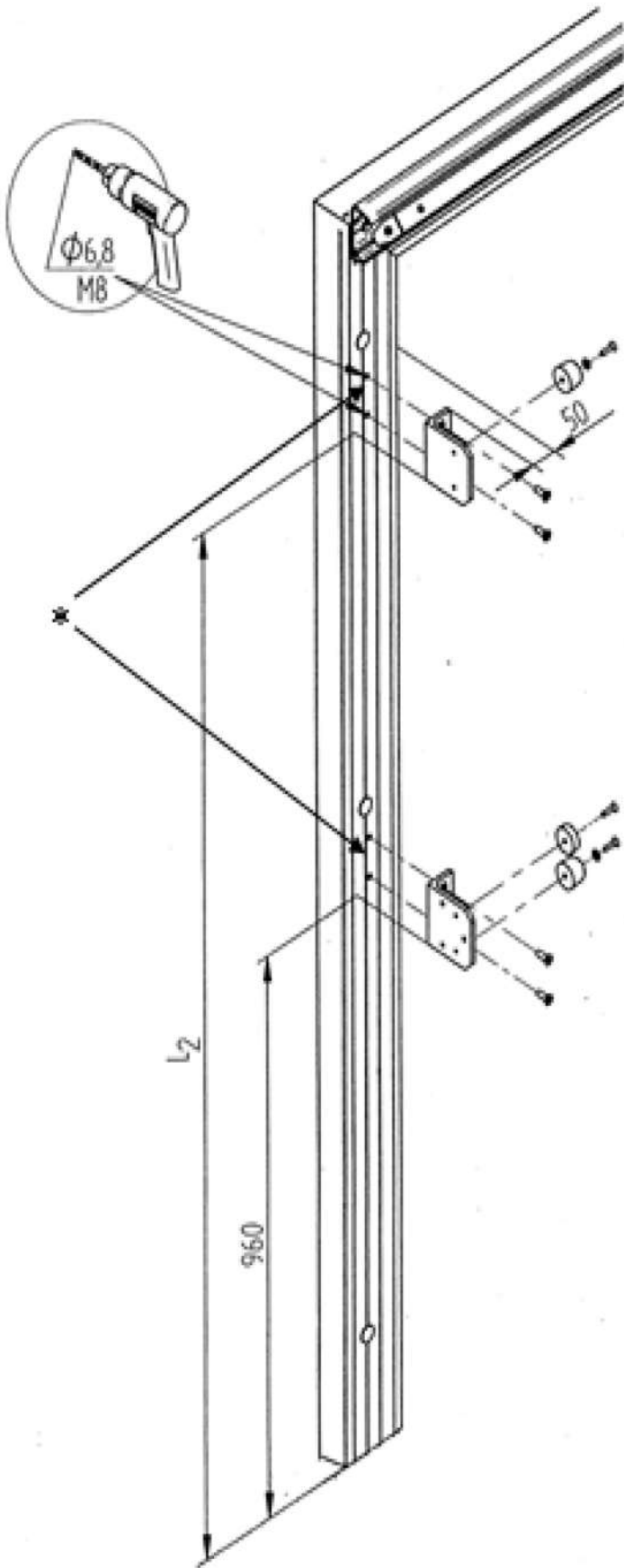
Fitting of gaskets - freeze
 $\varnothing 25$: Hole for heating cable
 Fitting of gasket, type C - freeze



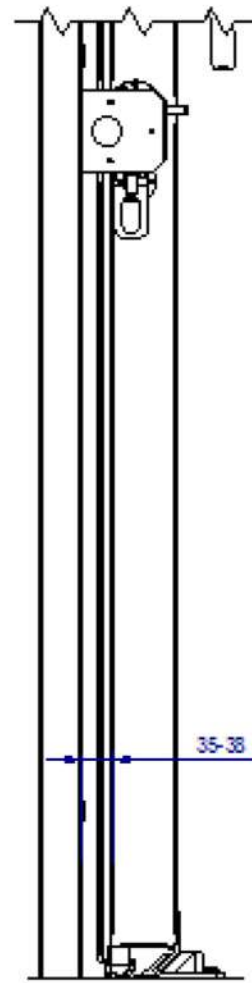
Placing and fitting of sliding rails and limit stop



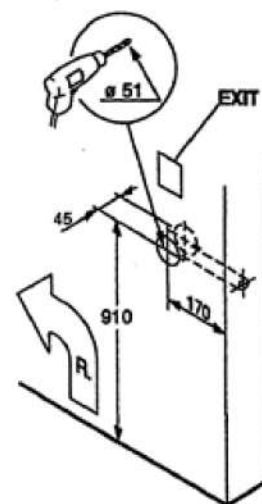
Fitting of gaskets - freeze



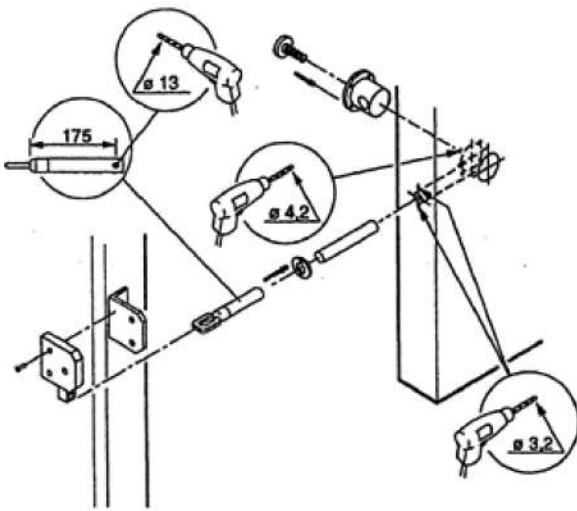
Placing of handle opening brackets
*: Reinforce in frame



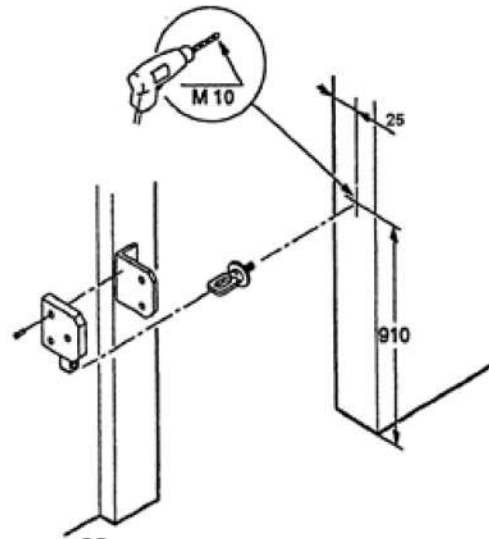
Placing of bottom guides



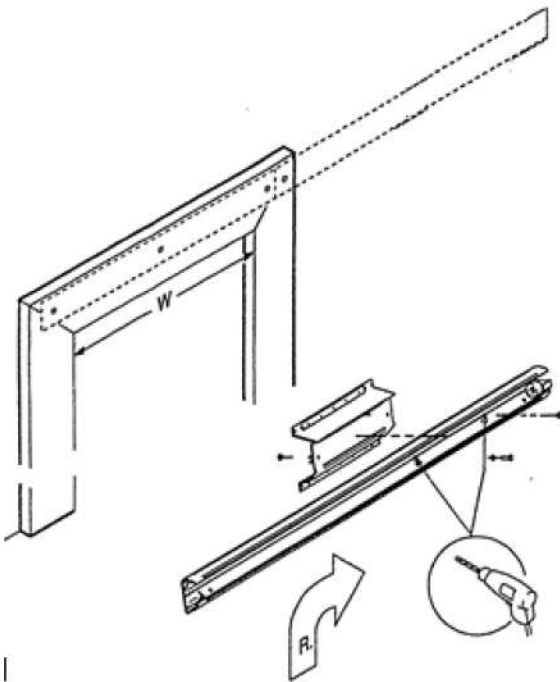
Placing of padlock fitting with emergency opening device on door blade, placing of EXIT



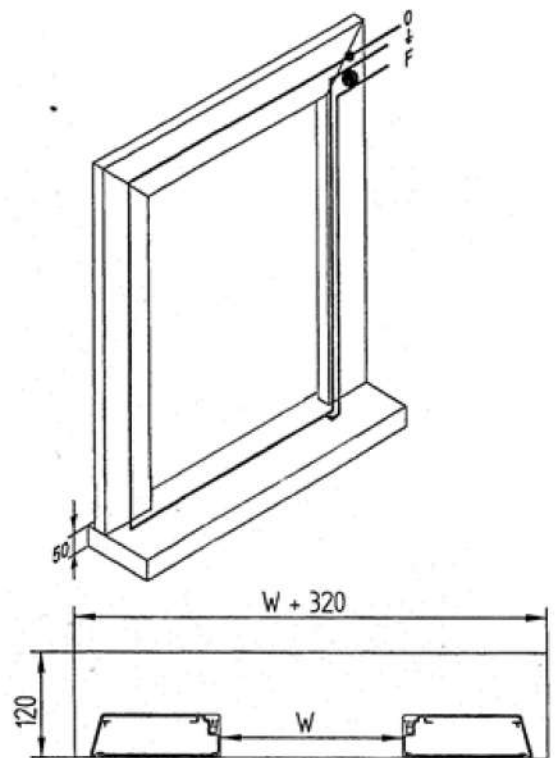
Fitting of padlock fitting with emergency



Fitting of padlock fitting with emergency opening device



Placing and fitting of bracket for sliding rail



Placing of heating cable in frame - with threshold