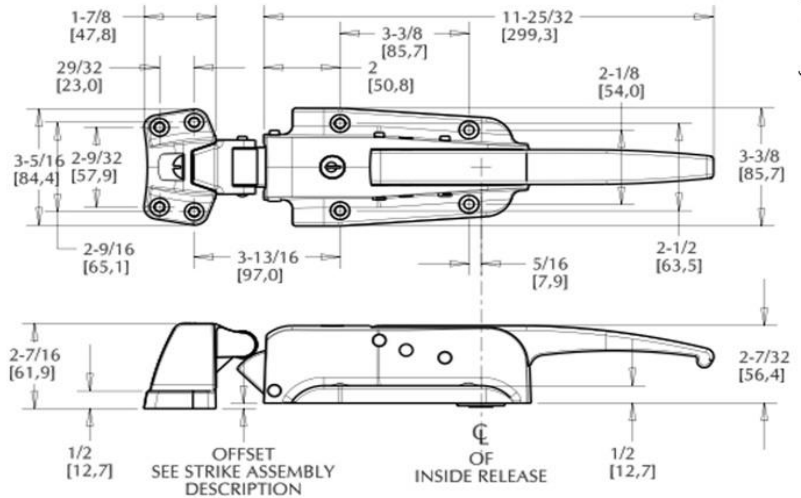


0778 STAINLESS STEEL SAFEGUARD® LATCH AND STRIKE



- 316 stainless steel body, handle, and strike housing, satin finish
- Radial tongue makes for effortless door closure when combined with Kason door closers
- Corrosion Resistant
- The walk-in latch unsurpassed for reliability is now available for the most challenging applications
- No. 0778 features unequalled strength and corrosion-resistance
- Tamper-resistant locking mechanism and mounting are built in
- Adjustable roller strike assures precise adjustment
- Padlocking provision standard on all models
- Accepts Kason inside release lever to prevent accidental entrapment in locked walk-ins. Inside lever releases cylinder locked or padlocked door

Specifications

Material

Satin Finish, #316 stainless steel body and strike housing

Mounting

Holes drilled and countersunk for 1/4" (6 mm) screws.

Packaging

6 per carton.

Inside Release

Accepts any "C" series inside release.
See No. 0481 SC, shown below. Order separately.

Locking Mechanism

Accepts Master #1 U Padlock with 5/16" shank

Part No.	Description	
10778CL6020*	Cylinder Latch Body, Light Spring	UL
10778L06020*	Padlocking Latch Body, Light Spring	UL
10778CH6020	Cylinder Latch Body, Heavy Spring	-
10778H06020	Padlocking Latch Body, Heavy Spring	-
10778006002	Strike, -1/8" to 3/4" (-3 - 19 mm)	
10778006003	Strike, 3/4" to 1-5/8" (19 - 41 mm)	
10778006004	Strike, 1-5/8" to 2-1/2" (41-64 mm)	
10778006102	Strike, Stainless Steel Roller -1/8" to 3/4" (-3 - 19 mm)	
10778006103	Strike, Stainless Steel Roller 3/4" to 1-5/8" (19 - 41 mm)	
10778006104	Strike, Stainless Steel Roller 1-5/8" to 2-1/2" (41-64 mm)	
90531 CM000401	Replacement Cylinder Kit #401	
90531 CM000402	Replacement Cylinder Kit #402	
90531 CM000403	Replacement Cylinder Kit #403	
90531 CM000404	Replacement Cylinder Kit #404	

*Light spring models with roller strike



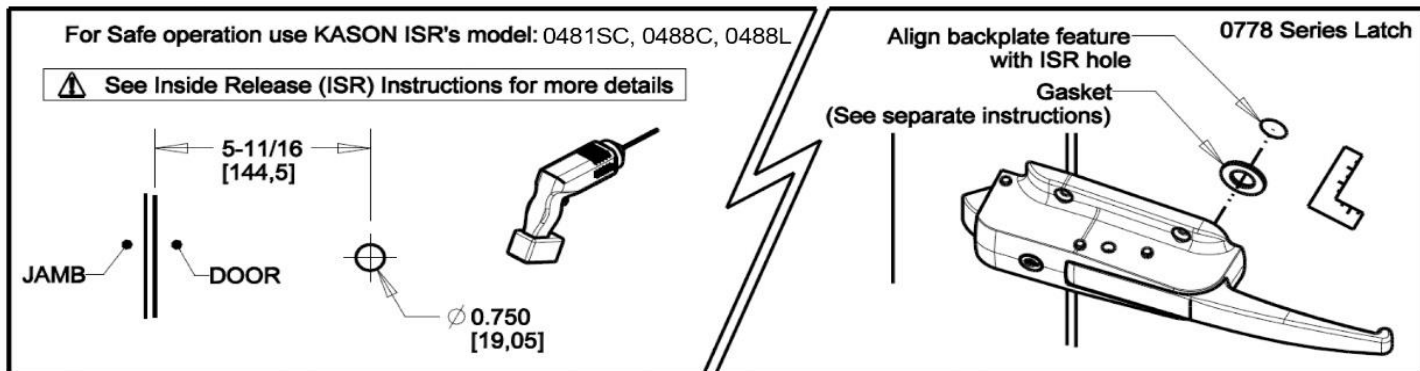
INSTALLATION INSTRUCTIONS

0778 Radial Tongue Latch

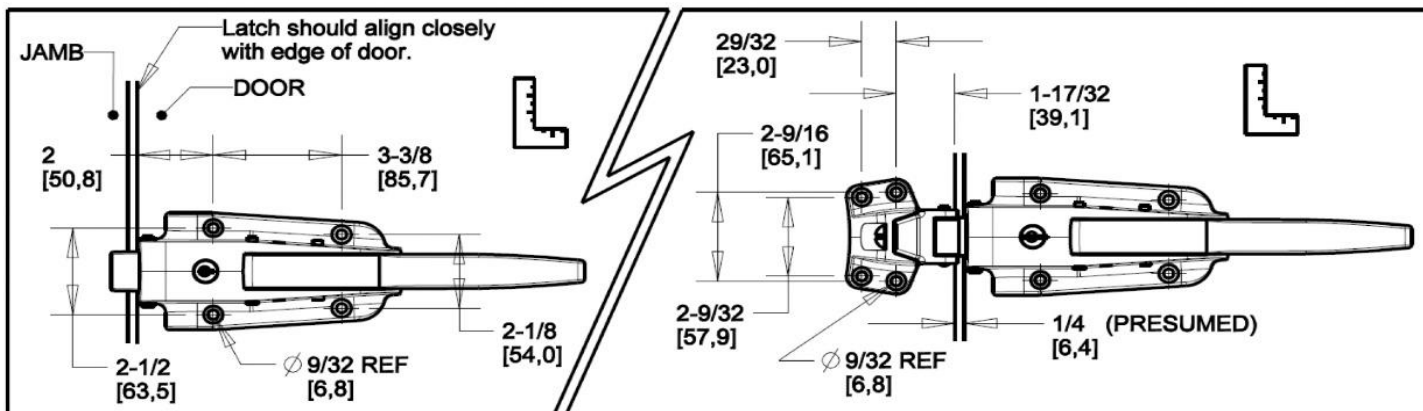
Part Number: 10778*

⚠ WARNING

Do not lock the latch when closing the door.

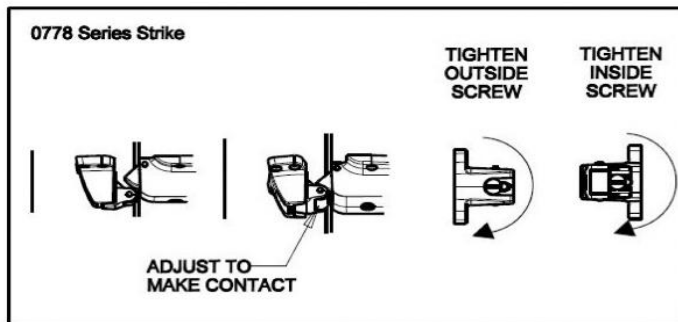


⌀ 1/4 (6mm) Mounting fasteners not provided



Part No. *	Description
10778006002	Strike, -1/8" to 3/4" (-3 to 19 mm)
10778006003	Strike, 3/4" to 1-5/8" (19 to 41 mm)
10778006004	Strike, 1-5/8" to 2-1/2" (41 to 64 mm)
10778006102	Strike, Stainless Steel Roller -1/8" to 3/4" (-3 to 19 mm)
10778006103	Strike, Stainless Steel Roller 3/4" to 1-5/8" (19 to 41 mm)
10778006104	Strike, Stainless Steel Roller 1-5/8" to 2-1/2" (41 to 64 mm)
10778CL6020	Cylinder latch, Light Spring
10778L06020	Padlocking Latch Body, Light Spring

Above Models for Satin Finish. Heavy spring available.





INSTALLATION INSTRUCTIONS

0778 Radial Tongue Latch

Part Number: 10778 *

Locking Operation

