

0058 Safeguard Radial Latch Light Spring



Specifications (0058/0059)

Material

High pressure die-cast zinc, stainless black plate

Finish

Polished chrome models listed. Also available in brushed chrome, silver powder coat, or powder coated for severe environmental applications

Mounting Holes

Drilled and countersunk for 1/4" (6.0 mm) screws

Packaging/Weight

6 body assemblies/approx. 16 lb (7.3 kg) per carton
6 strike assemblies/approx. 7 lb (3.2 kg) per carton

Inside Release

Accepts "C" series inside release. Order separately
See pages 40-43, and 48 for selection

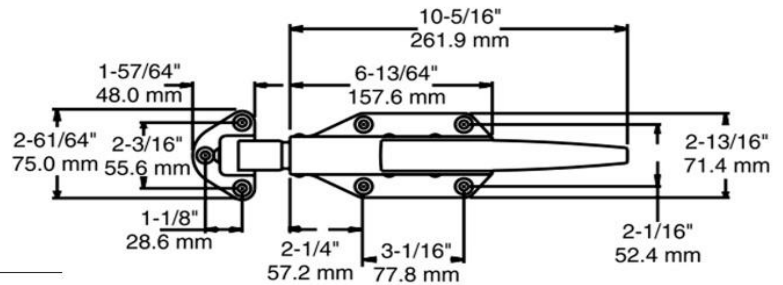
Locking Mechanism

Accepts Master #1 LJ Padlock with 5/16" shank

- For smooth, easy closure
- Works with foam doors
- Reliable, self-closing action provides positive tight closure with little effort
- Releases with minimum pressure or pull from outside or from inside with Kason inside release handle
- Works effectively with Kason door closers
- Economical, adjustable solid head strike
- Padlocking provision standard on all models

Part No.	Description	Offset
10058CH5020	Cylinder Locking Body, Heavy Spring	
10058CL5020	Cylinder Locking Body, Light Spring	
10058H05021	Body, Heavy Spring	
10058L05021	Body, Light Spring	
10058005001	Strike	-1/8" to 1/4" (-3.2 to 6.4 mm)
10058005002	Strike	3/4" to 1-5/8" (19.0 to 41.3 mm)
10058005003	Strike	1-3/4" to 2-1/2" (44.5 to 63.5 mm)
10058ER2000	Latch w/ Electric Strike, Retrofit Flush, Std. (No Card Reader)	
10059005001	Roller Strike	-1/8" to 1/4" (-3.2 to 6.4 mm)
10059005002	Roller Strike	3/4" to 1-5/8" (19.0 to 41.3 mm)
10059005003	Roller Strike	1-3/4" to 2-1/2" (44.5 to 63.5 mm)
90531CM000401	Replacement Cylinder Kit #1	
90531CM000402	Replacement Cylinder Kit #2	
90531CM000403	Replacement Cylinder Kit #3	
90531CM000404	Replacement Cylinder Kit #4	

0058 SAFEGUARD® Radial STRIKE



Specifications (0058/0059)

Material

High pressure die-cast zinc, stainless black plate

Finish

Polished chrome models listed. Also available in brushed chrome, silver powder coat, or powder coated for severe environmental applications

Mounting Holes

Drilled and countersunk for 1/4" (6.0 mm) screws

Packaging/Weight

6 body assemblies/approx. 16 lb (7.3 kg) per carton
6 strike assemblies/approx. 7 lb (3.2 kg) per carton

Inside Release

Accepts "C" series inside release. Order separately
See pages 40-43, and 48 for selection

Locking Mechanism

Accepts Master #1 U Padlock with 5/16" shank

- For smooth, easy closure
- Works with foam doors
- Reliable, self-closing action provides positive tight closure with little effort
- Releases with minimum pressure or pull from outside or from inside with Kason inside release handle
- Works effectively with Kason door closers
- Economical, adjustable solid head strike
- Padlocking provision standard on all models

Part No.	Description	Offset
10058CH5020	Cylinder Locking Body, Heavy Spring	
10058CL5020	Cylinder Locking Body, Light Spring	
10058H05021	Body, Heavy Spring	
10058L05021	Body, Light Spring	
10058005001	Strike	-1/8" to 1/4" (-3.2 to 6.4 mm)
10058005002	Strike	3/4" to 1-5/8" (19.0 to 41.3 mm)
10058005003	Strike	1-3/4" to 2-1/2" (44.5 to 63.5 mm)
10058ER2000	Latch w/ Electric Strike, Retrofit Flush, Std. (No Card Reader)	
10059005001	Roller Strike	-1/8" to 1/4" (-3.2 to 6.4 mm)
10059005002	Roller Strike	3/4" to 1-5/8" (19.0 to 41.3 mm)
10059005003	Roller Strike	1-3/4" to 2-1/2" (44.5 to 63.5 mm)
90531CM000401	Replacement Cylinder Kit #1	
90531CM000402	Replacement Cylinder Kit #2	
90531CM000403	Replacement Cylinder Kit #3	
90531CM000404	Replacement Cylinder Kit #4	

0481 SAFETY GLOW INSIDE RELEASE HANDLE



- Glow-in-the-dark knob
- ADA Compliant

Specifications

Material

Steel rod and flange; Safety-Glow™ plastic knob

Finish

Kasonized (Zinc plated)

Mounting

Holes drilled for No. 10 (5.0 mm) screws

Packaging

24 per carton

Weight

Approx. 20 lb (9.1 kg) per carton

Temperature Range

-40°F to 150°F (-40°C to 65°C)



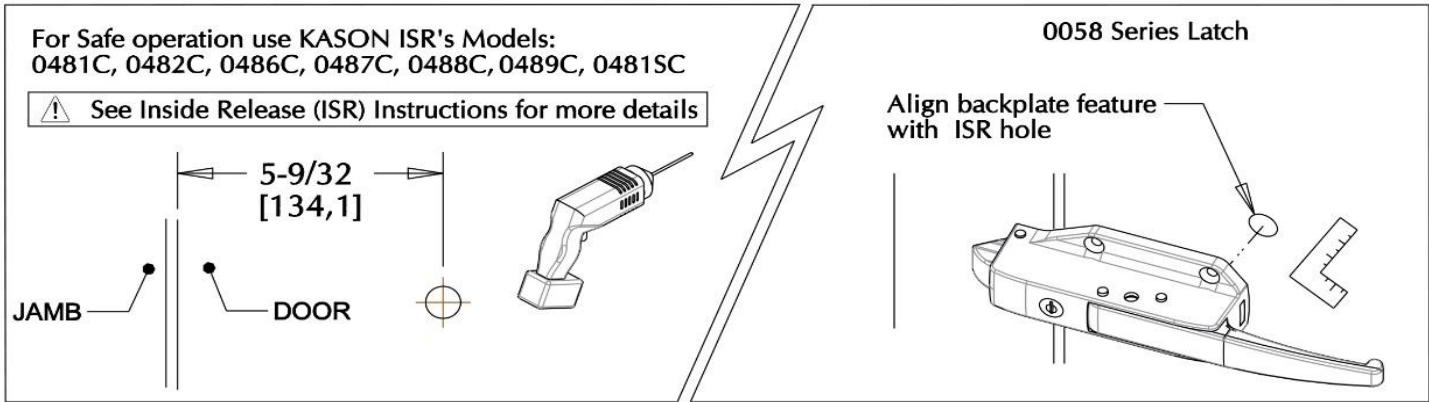
INSTALLATION INSTRUCTIONS

0058 SafeGuard® Radial Latch

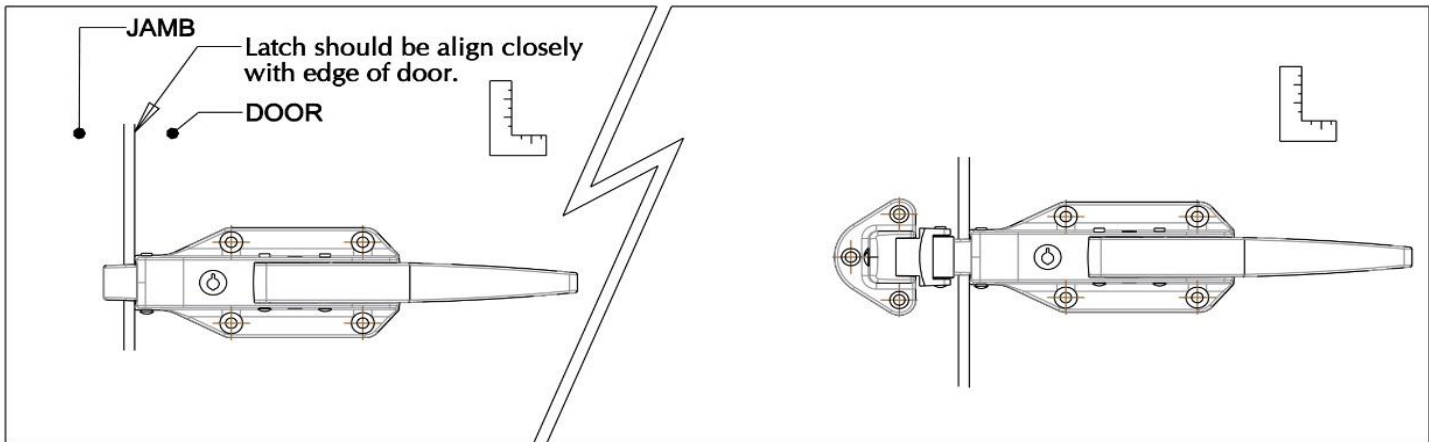
Part Number: 10058*

⚠ CAUTION

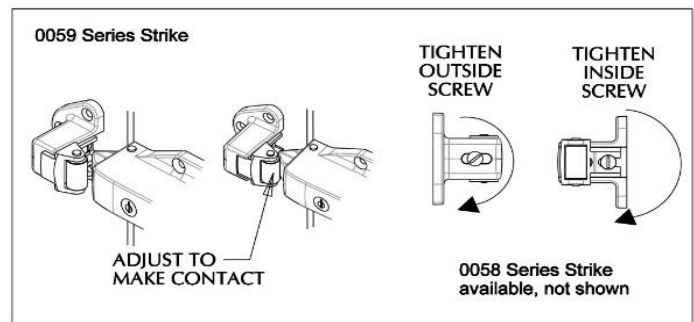
Do not lock the latch when closing the door.



Ø 1/4 (6mm) Mounting fasteners not provided



Part No.*	Description	Finish
10058CL5020	Cylinder Locking Body, Light Spring	Polished Chrome
10058L05020	Body, Light Spring	Polished Chrome
10059005001	Strike, -0.125" to 0.25" (-3.2 to 6.4 mm)	Polished Chrome
10059005002	Strike, 0.75" to 1.5" (19 to 38.1 mm)	Polished Chrome
10059005003	Strike, 1.75" to 2.5" (44.5 to 63.5 mm)	Polished Chrome
Other finishes, springs available		



INSTALLATION INSTRUCTIONS

0481 Safety Glow Inside Release Handle 0482 Hi-Temp Inside Release Push Handle 0487 Frost-Free Inside Release Push Handle

1. Drill a 3/4" diameter (19.1 mm) hole through the door from the warm side at the location of latch inside release hole. Hole must be square to door surface for proper alignment and operation. For rods using a cross pin, drill a 1" diameter (25.4 mm) x 2" deep pocket from the cold side to accommodate pin and washers.
2. Mount to the door using (3) #10 (5.0mm) round head screws.
For Freezers, fill warm side of cavity with low temperature grease to limit air infiltration and ice formation through hole.
3. Test to assure latch release function.
WARNING: Function is critical. Entrapment in freezer can cause severe injury or death.

Fig. 1

