

## 0058 Safeguard Radial Latch Light Spring



### Specifications (0058/0059)

#### Material

High pressure die-cast zinc, stainless black plate

#### Finish

Polished chrome models listed. Also available in brushed chrome, silver powder coat, or powder coated for severe environmental applications

#### Mounting Holes

Drilled and countersunk for 1/4" (6.0 mm) screws

#### Packaging/Weight

6 body assemblies/approx. 16 lb (7.3 kg) per carton  
6 strike assemblies/approx. 7 lb (3.2 kg) per carton

#### Inside Release

Accepts "C" series inside release. Order separately  
See pages 40-43, and 48 for selection

#### Locking Mechanism

Accepts Master #1 LJ Padlock with 5/16" shank

- For smooth, easy closure
- Works with foam doors
- Reliable, self-closing action provides positive tight closure with little effort
- Releases with minimum pressure or pull from outside or from inside with Kason inside release handle
- Works effectively with Kason door closers
- Economical, adjustable solid head strike
- Padlocking provision standard on all models

Part No.	Description	Offset
10058CH5020	Cylinder Locking Body, Heavy Spring	
10058CL5020	Cylinder Locking Body, Light Spring	
10058H05021	Body, Heavy Spring	
10058L05021	Body, Light Spring	
10058005001	Strike	-1/8" to 1/4" (-3.2 to 6.4 mm)
10058005002	Strike	3/4" to 1-5/8" (19.0 to 41.3 mm)
10058005003	Strike	1-3/4" to 2-1/2" (44.5 to 63.5 mm)
10058ER2000	Latch w/ Electric Strike, Retrofit Flush, Std. (No Card Reader)	
10059005001	Roller Strike	-1/8" to 1/4" (-3.2 to 6.4 mm)
10059005002	Roller Strike	3/4" to 1-5/8" (19.0 to 41.3 mm)
10059005003	Roller Strike	1-3/4" to 2-1/2" (44.5 to 63.5 mm)
90531CM000401	Replacement Cylinder Kit #1	
90531CM000402	Replacement Cylinder Kit #2	
90531CM000403	Replacement Cylinder Kit #3	
90531CM000404	Replacement Cylinder Kit #4	



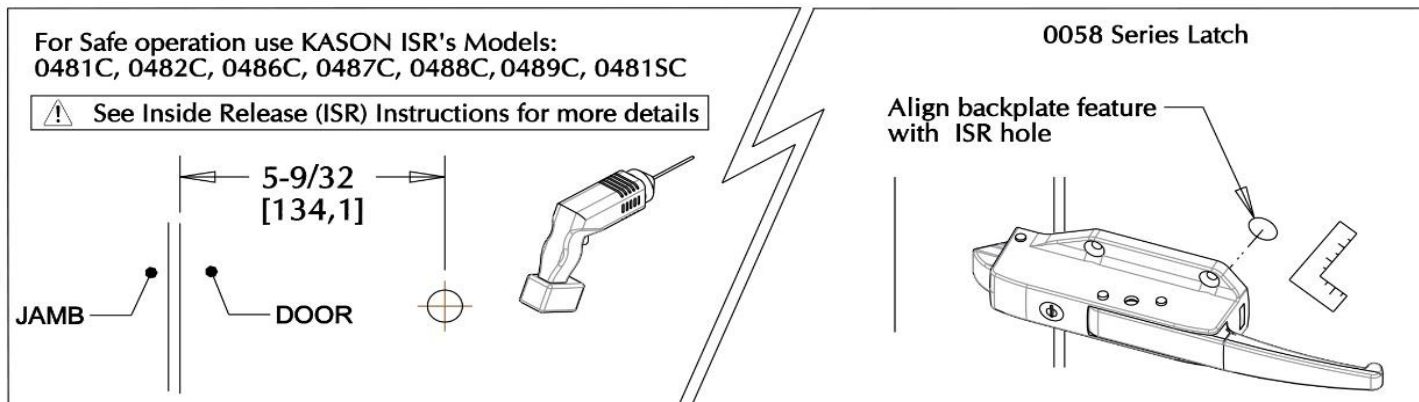
# INSTALLATION INSTRUCTIONS

## 0058 SafeGuard® Radial Latch

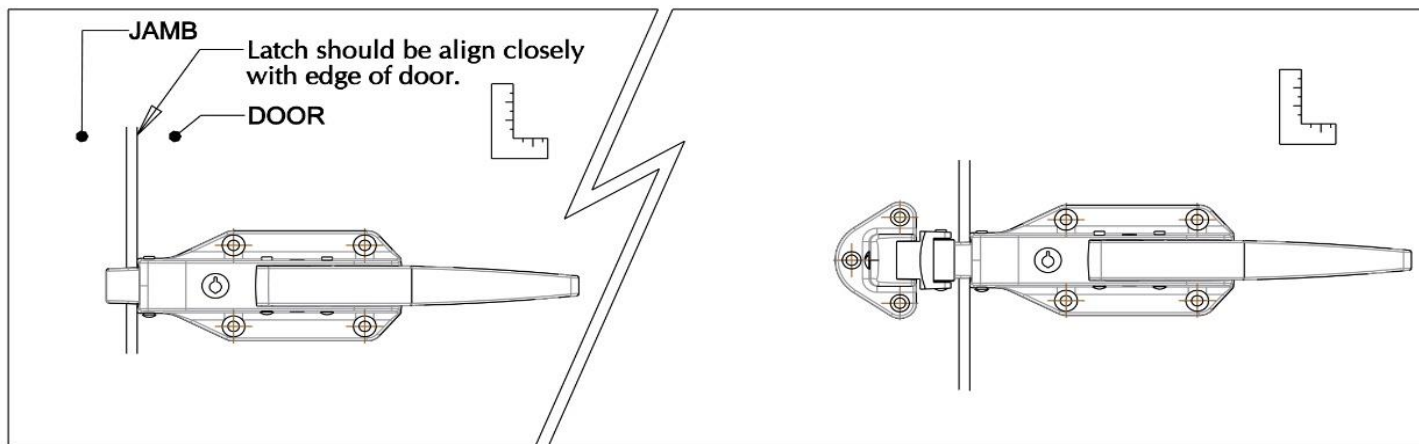
Part Number: 10058\*

### ⚠ CAUTION

Do not lock the latch when closing the door.



∅ 1/4 (6mm) Mounting fasteners not provided



Part No.*	Description	Finish
10058CL5020	Cylinder Locking Body, Light Spring	Polished Chrome
10058L05020	Body, Light Spring	Polished Chrome
10059005001	Strike, -0.125" to 0.25" (-3.2 to 6.4 mm)	Polished Chrome
10059005002	Strike, 0.75" to 1.5" (19 to 38.1 mm)	Polished Chrome
10059005003	Strike, 1.75" to 2.5" (44.5 to 63.5 mm)	Polished Chrome
Other finishes, springs available		

