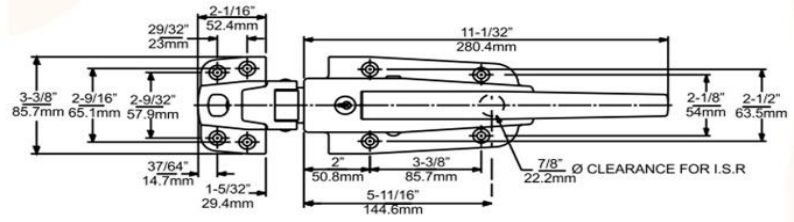


## 0056 Safeguard Heavy Duty Latch Body Light Spring



- Bolt-type tongue provides positive locking action
- Proven, heavy-duty construction outlasts similar latches in hard commercial use
- Adjustable strike assures precise adjustment (Order Separately)
- Padlocking provision standard on all models
- Accepts Kason inside release lever to prevent accidental entrapment in locked walk-ins
- Inside lever releases cylinderlocked or padlocked door
- Unsurpassed for long life and reliability

### Specifications

#### Material

High pressure die-cast zinc body and strike housing,  
300 series stainless steel handle

#### Finish

Powder coat finishes and stainless steel handle available for use in extreme environmental conditions.

#### Mounting

Holes drilled and countersunk for 1/4" (6.0 mm) screws

#### Packaging/Weight

6 strike assemblies per carton/approx. 10 lb (4.5 kg) per carton

#### Locking Mechanism

Accepts Master #1 LJ Padlock with 5/16" shank



# INSTALLATION INSTRUCTIONS

## 0056 SafeGuard® Latch and Strike

Part Number: 10056\*

### ⚠ CAUTION

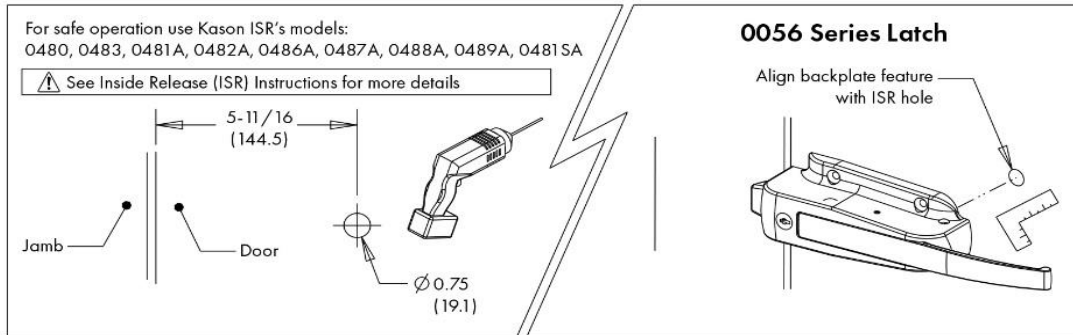
- Do not lock the latch when closing the door

Part No.*	Description	Finish
10056CL5020	Cylinder Locking Body, Light Spring	Polished Chrome
10056L05020	Padlocking Body, Light Spring	Polished Chrome
10056005002	Strike, -1/8" to 1/4" (-3.2 to 6.4 mm)	Polished Chrome
10056005003	Strike, 3/4" to 1-1/2" (19 to 38.1 mm)	Polished Chrome
10056005005	Strike, 1-3/4" to 2-1/2" (44.5 to 63.5 mm)	Polished Chrome
10056005008	Strike, 3" to 4" (76.2 to 101.6 mm)	Polished Chrome

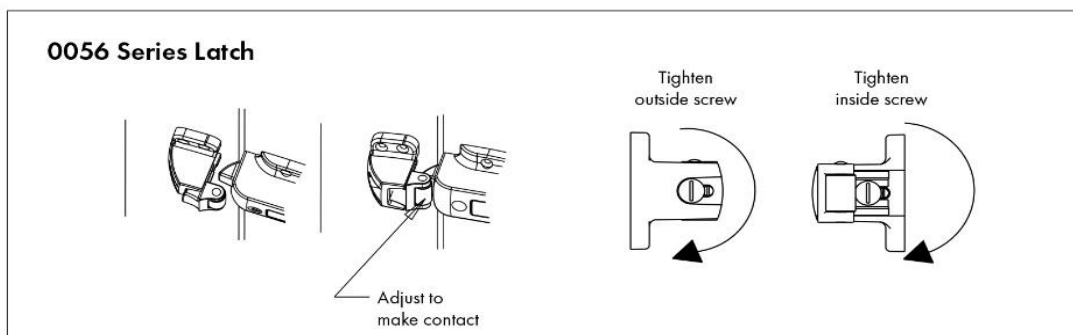
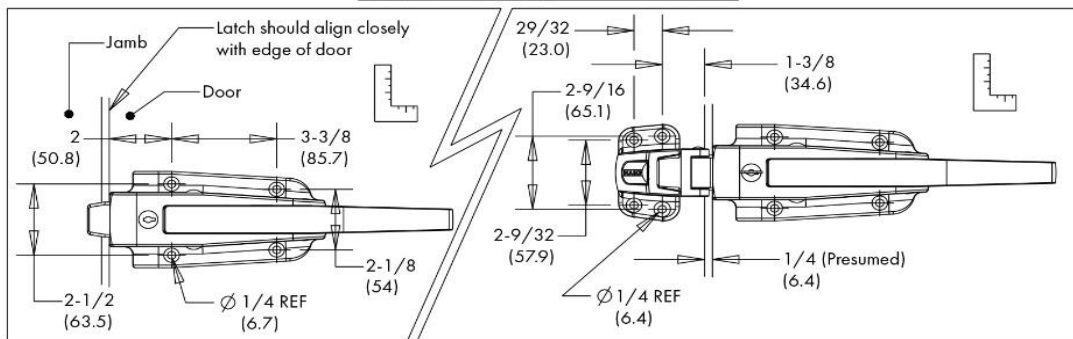
Other finishes, springs available



U.S. Trademarks: 2,181,603; 5,809,889



Ø 1/4 (6 mm) Mounting fasteners not provided





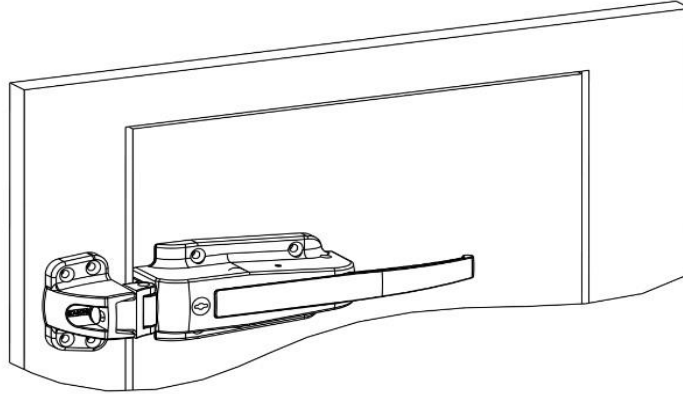
# INSTALLATION INSTRUCTIONS

## 0056 SafeGuard® Latch and Strike

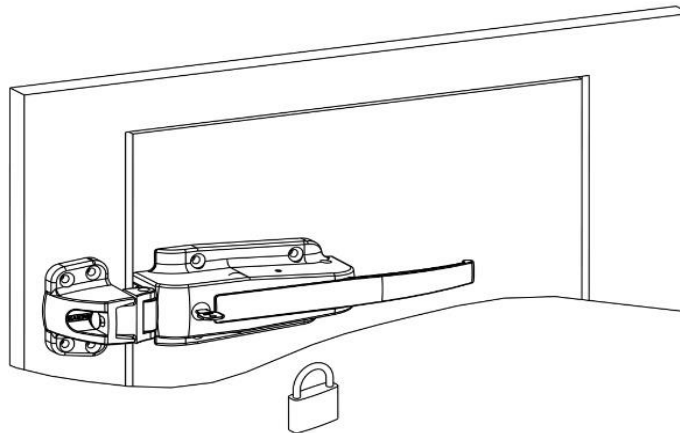
Part Number: 10056\*

Barad Atlanta Trading LLC, Sharjah UAE

1. Close Door



2. Lock Latch



3. Unlock Latch  
4. Open Door  
5. Leave the Latch Unlocked

