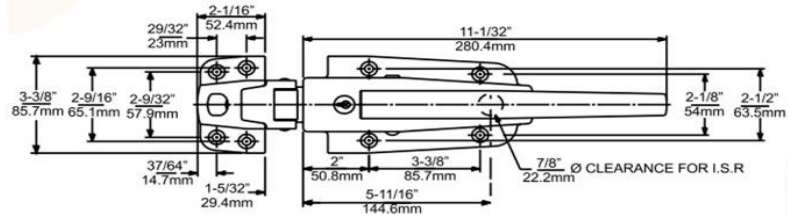


0056 Safeguard Heavy Duty Latch Body Light Spring



- Bolt-type tongue provides positive locking action
- Proven, heavy-duty construction outlasts similar latches in hard commercial use
- Adjustable strike assures precise adjustment (Order Separately)
- Padlocking provision standard on all models
- Accepts Kason inside release lever to prevent accidental entrapment in locked walk-ins
- Inside lever releases cylinderlocked or padlocked door
- Unsurpassed for long life and reliability

Specifications

Material

High pressure die-cast zinc body and strike housing,
300 series stainless steel handle

Finish

Powder coat finishes and stainless steel handle available for use in extreme environmental conditions.

Mounting

Holes drilled and countersunk for 1/4" (6.0 mm) screws

Packaging/Weight

6 strike assemblies per carton/approx. 10 lb (4.5 kg) per carton

Locking Mechanism

Accepts Master #1 LJ Padlock with 5/16" shank



INSTALLATION INSTRUCTIONS

0056 SafeGuard® Latch and Strike

Part Number: 10056*

CAUTION

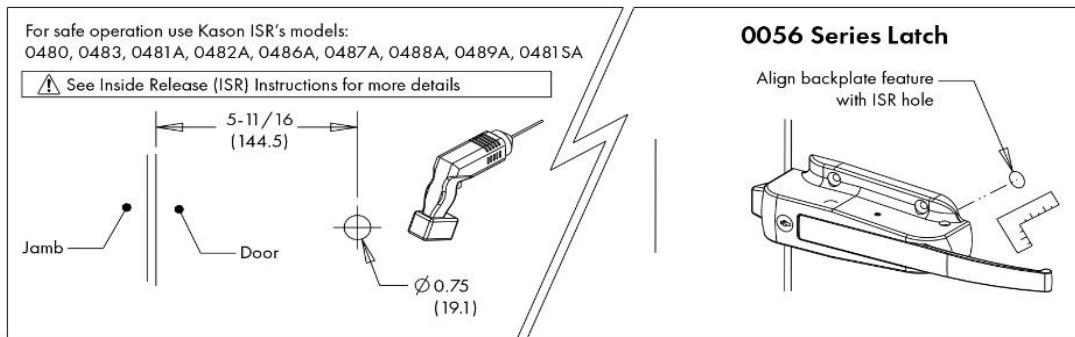
- Do not lock the latch when closing the door

Part No.*	Description	Finish
10056CL5020	Cylinder Locking Body, Light Spring	Polished Chrome
10056L05020	Padlocking Body, Light Spring	Polished Chrome
10056005002	Strike, -1/8" to 1/4" (-3.2 to 6.4 mm)	Polished Chrome
10056005003	Strike, 3/4" to 1-1/2" (19 to 38.1 mm)	Polished Chrome
10056005005	Strike, 1-3/4" to 2-1/2" (44.5 to 63.5 mm)	Polished Chrome
10056005008	Strike, 3" to 4" (76.2 to 101.6 mm)	Polished Chrome

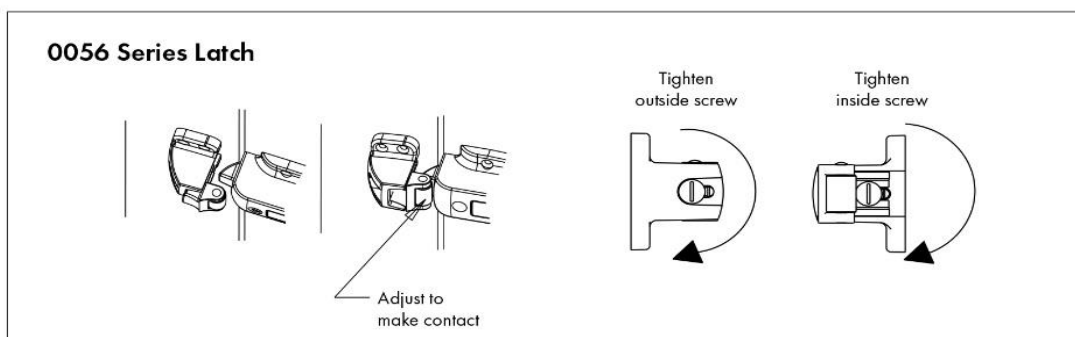
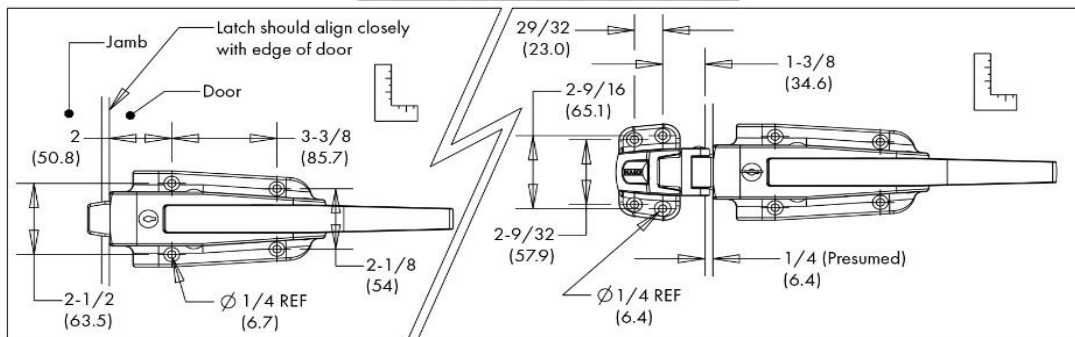
Other finishes, springs available



U.S. Trademarks: 2,181,603; 5,809,889



Ø 1/4 (6 mm) Mounting fasteners not provided



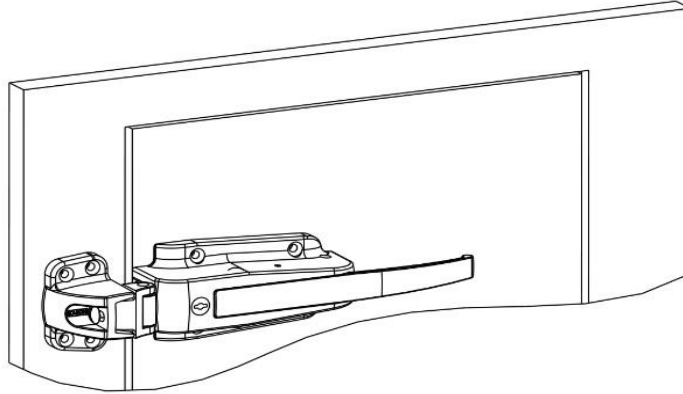


INSTALLATION INSTRUCTIONS

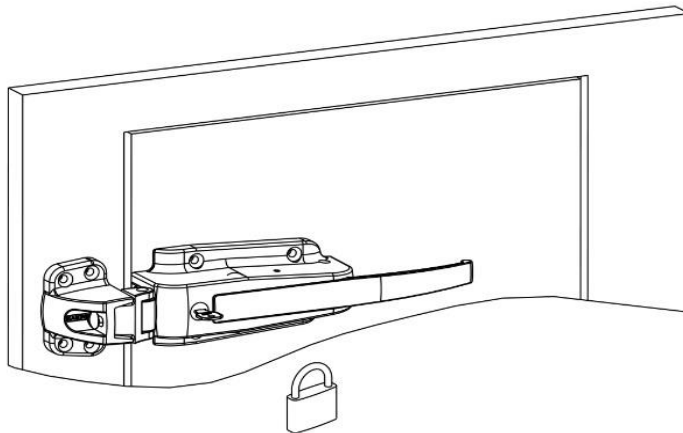
0056 SafeGuard® Latch and Strike

Part Number: 10056 *

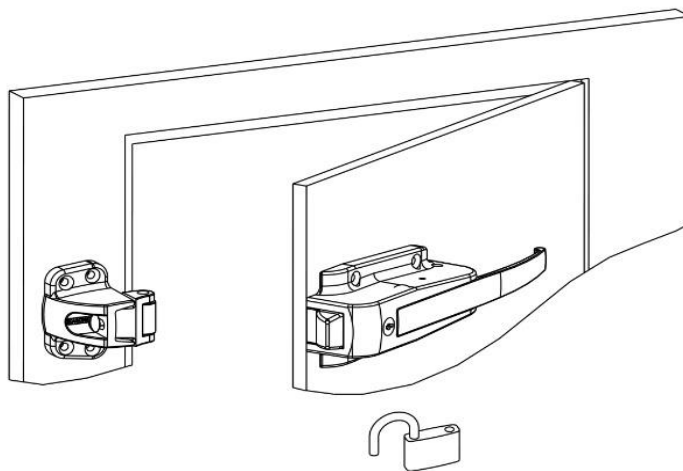
1. Close Door



2. Lock Latch



3. Unlock Latch
4. Open Door
5. Leave the Latch Unlocked



0481 SAFETY GLOW INSIDE RELEASE HANDLE



- Glow-in-the-dark knob
- ADA Compliant

Specifications

Material

Steel rod and flange; Safety-Glow™ plastic knob

Finish

Kasonized (Zinc plated)

Mounting

Holes drilled for No. 10 (5.0 mm) screws

Packaging

24 per carton

Weight

Approx. 20 lb (9.1 kg) per carton

Temperature Range

-40°F to 150°F (-40°C to 65°C)