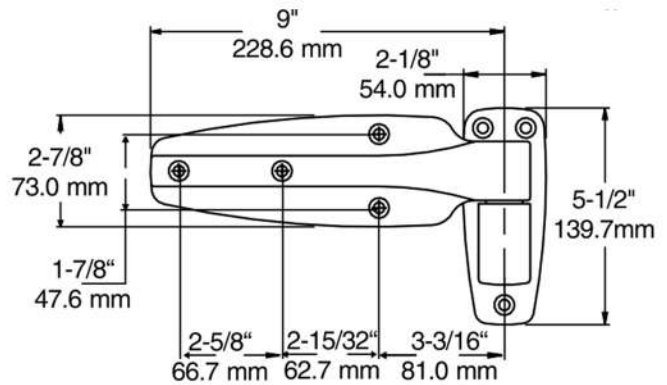


## 1245 REVERSIBLE CAM-RISE HINGE



### Specifications

#### Material

High pressure die-cast zinc with self-lubricating nylon cam

#### Finishes

Powder coated finishes available for severe environmental applications

#### Offsets

See table

#### Packaging

6 per carton

#### Mounting

Drilled and countersunk for 1/4" (6.0 mm) flat-head screws

#### Load Rating

See Hinge Selector Chart, page 53, Group D

#### Weight (1245)

Approx. 18 lb (8.2 kg) per carton

- Industry standard self-closing cam-rise hinges
- Door opens with minimum effort
- Strong self-lubricating nylon cam delivers smooth, trouble-free door operation
- Cam-rise action reduces gasket wear, even with irregular floors
- Holds door open beyond 130°
- Doors lift off without disassembly or removing hinges
- Simple manual operation reverses hinges for use on right or left-opening door

Part No.	Description	Offset	Finish
11245000004	Hinge	Flush (0.0 mm)	Powder Coat
11245000016	Hinge	1-1/8" (28.6 mm)	Powder Coat
11245000020	Hinge	1-1/4" (31.8 mm)	Powder Coat
11245000024	Hinge	1-3/8" (34.9 mm)	Powder Coat
11245000052	Hinge	1-1/2" (38.1 mm)	Powder Coat
11245000056	Hinge	1-5/8" (41.3 mm)	Powder Coat
11245000060	Hinge	1-3/4" (44.5 mm)	Powder Coat
11245000064	Hinge	1-7/8" (47.6 mm)	Powder Coat
11245000028	Hinge	Flush (0.0 mm)	Polished Chrome
11245000040	Hinge	1-1/8" (28.6 mm)	Polished Chrome
11245000044	Hinge	1-1/4" (31.8 mm)	Polished Chrome
11245000048	Hinge	1-3/8" (34.9 mm)	Polished Chrome
11245000068	Hinge	1-1/2" (38.1 mm)	Polished Chrome
11245000072	Hinge	1-5/8" (41.3 mm)	Polished Chrome
11245000076	Hinge	1-3/4" (44.5 mm)	Polished Chrome
11245000080	Hinge	1-7/8" (47.6 mm)	Polished Chrome
11245000082	Hinge	2" (50.8 mm)	Polished Chrome
11245000088	Hinge	Flush (0.0 mm)	Brushed Chrome
11245000112	Hinge	1-1/8" (28.6 mm)	Brushed Chrome
11245000116	Hinge	1-1/4" (31.8 mm)	Brushed Chrome
11245000120	Hinge	1-3/8" (34.9 mm)	Brushed Chrome
11245000124	Hinge	1-1/2" (38.1 mm)	Brushed Chrome
11245000128	Hinge	1-5/8" (41.3 mm)	Brushed Chrome
11245000132	Hinge	1-3/4" (44.5 mm)	Brushed Chrome
11245000136	Hinge	1-7/8" (47.6 mm)	Brushed Chrome
11245000138	Hinge	2" (50.8 mm)	Brushed Chrome



# 1245 REVERSIBLE CAM-RISE HINGE

## Kason Hinge Selector

This Hinge Selector is to assist you in choosing the correct Kason hinges for commercial refrigeration, foodservice equipment, transportation, industrial and many other uses. The Load Chart, below, shows our recommended allowable load per two hinges for each hinge group.

The data applies for normal conditions under static loading by door weight only. Other factors, such as positive or negative pressure, very high gasket compression, vibration, corrosive or abrasive atmospheres, lubrication, cam life, or structural movement are not taken into account. It is the final responsibility of the users to determine the suitability and capacity required in their specific applications.

### How to use this Chart

1. Locate the weight of your door in the far left column, headed Door Weight.
2. Find the width of your door along the bottom of the chart.
3. Where the Weight and Width column intersect, find the recommended hinge group code (A, B, etc.)
4. Select your hinges from the Kason Hinge Groups

**NOTE:** If exact dimensions and weight for your door is not shown, use the next higher width and weight.

### Load Chart

Door Weight	kg	lb																				
	226.8	500	D	D	E	F	F	F	G	G	G	G	H	H	H	H	H	H	J	J	J	J
217.7	480	D	D	E	F	F	F	G	G	G	G	H	H	H	H	H	H	J	J	J	J	
208.6	460	D	D	E	E	F	F	F	G	G	G	G	H	H	H	H	H	H	J	J	J	
199.5	440	D	D	D	E	F	F	F	G	G	G	G	H	H	H	H	H	H	H	J	J	
191.2	420	D	D	D	E	F	F	F	F	G	G	G	G	H	H	H	H	H	H	H	J	
181.4	400	D	D	D	E	E	F	F	F	G	G	G	G	G	H	H	H	H	H	H	H	
172.4	380	D	D	D	D	E	F	F	F	F	G	G	G	G	G	H	H	H	H	H	H	
163.3	360	D	D	D	D	E	E	F	F	F	G	G	G	G	G	G	H	H	H	H	H	
154.2	340	D	D	D	D	E	E	F	F	F	F	G	G	G	G	G	G	H	H	H	H	
145.2	320	C	D	D	D	D	E	E	F	F	F	F	G	G	G	G	G	G	H	H	H	
136.1	300	C	D	D	D	D	E	E	E	F	F	F	F	G	G	G	G	G	G	G	H	
127.0	280	C	D	D	D	D	D	E	E	F	F	F	F	F	G	G	G	G	G	G	G	
117.9	260	C	C	D	D	D	D	D	E	E	F	F	F	F	F	G	G	G	G	G	G	
108.9	240	C	C	D	D	D	D	D	D	E	E	F	F	F	F	F	G	G	G	G	G	
99.8	220	C	C	C	D	D	D	D	D	D	E	E	E	F	F	F	F	F	F	G	G	
90.7	200	B	C	C	D	D	D	D	D	D	E	E	E	F	F	F	F	F	F	F	G	
81.7	180	B	C	C	C	D	D	D	D	D	D	D	E	E	E	E	F	F	F	F	F	
72.6	160	B	B	C	C	C	D	D	D	D	D	D	D	E	E	E	E	F	F	F	F	
63.5	140	B	B	C	C	C	C	D	D	D	D	D	D	D	D	D	D	E	E	E	F	
54.4	120	B	B	B	C	C	C	C	D	D	D	D	D	D	D	D	D	NR	NR	NR	NR	
45.4	100	B	B	B	B	C	C	C	C	C	D	D	D	D	D	D	D	NR	NR	NR	NR	
36.3	80	B	B	B	B	B	B	C	C	C	C	C	C	D	D	D	D	NR	NR	NR	NR	
27.2	60	A	A	A	A	B	B	B	B	B	C	C	C	NR	NR	NR	NR	NR	NR	NR	NR	
18.1	40	A	A	A	A	A	A	A	A	B	B	B	B	NR	NR	NR	NR	NR	NR	NR	NR	
9.0	20	A	A	A	A	A	A	A	A	A	A	A	A	NR	NR	NR	NR	NR	NR	NR	NR	
	<b>in.</b>	12	15	18	21	24	27	30	33	36	39	42	45	48	51	54	57	60	63	66	69	72
	<b>cm.</b>	30.5	38.1	45.7	53.3	61.0	68.6	76.2	83.8	91.4	99.1	106.7	114.3	121.9	129.5	137.2	144.8	152.4	160.0	167.6	175.3	182.9
		<b>Door Width</b>																				

### Hinge Groups

Group	Type	Max Moment (in.-lb)	Product Families
A	Reach-In	690	0139, 0209, 0211, 0212, 0213, 0214, 0215, 0225, 1070, 1216, 1216-13, 1219, 1247*, 1257*, 1267*, 1268*, 1269*, 1367R*, 1467R*
B	Reach-In	1200	0217, 0217S, 0218, 0220, 1070A, 1071, 1220, 1510, 1511, 1512, 1513, 1521, 1522, 1530, 1531, 1532, 1533, 1556
C	Reach-In	1980	1061, 1071A, 1247*, 1257*, 1267*, 1268*, 1269*, 1367R*, 1467R*, 1550
D	Walk-In	3990	1241, 1243, 1245, 1246, 1248, 1249, 1251, 1255, 1256, 1341, 1346***
E	Walk-In	4590	1074
F	Walk-In	6930	1037, 1055, 1214, 1240, 1409, 1345***
G	Walk-In	9900	0998, 1073, 1277, 1277L, 1277S, 1277I, 1278, 1278S, 1377L, 1377, 1398
H	Walk-In	15000	1075, 1076, 1275, 1276
J	Walk-In	18000	0094
NR			Not Recommended, consult factory

\* Category A to maximize cam life and for spring versions. Reduce by 15 lb/hinge for spring option. Category C for safe static load option.

\*\* Maximum 220 lb up to 36" wide; Maximum 2940 in.-lb beyond 36"

\*\*\* Maximum 9,000 in.-lb, max 300 lb