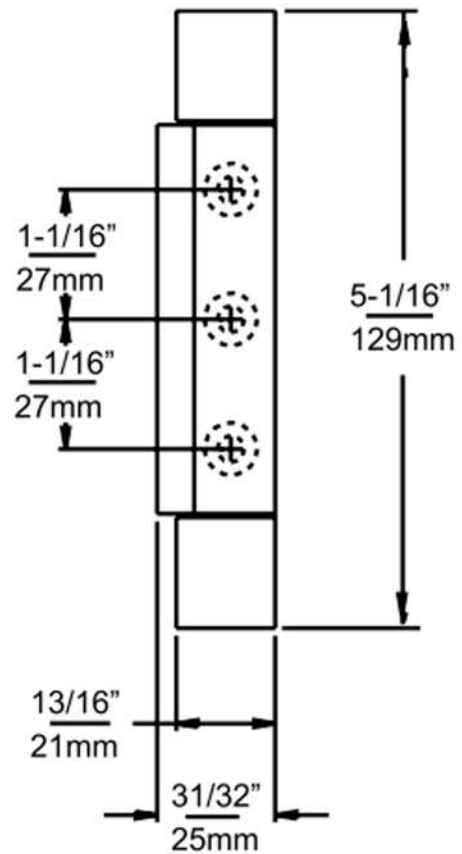


# Hinges



Barad Atlanta Trading LLC, Sharjah UAE

## 1216 DOUBLE ADJUSTABLE HINGE



### Specifications

#### Material

High pressure, die-cast zinc flange and adjustment plate, steel strap, stainless steel cover, aluminum flange adjustment plate

Offset Flange Plug: Propylene

Pins: Plated Steel

Spring: Stainless Steel

Spring Bushings: Brass

#### Finish

Polished chrome

#### Adjustment

Range: 3/16" (4.8 mm)

#### Mounting

Drilled and countersunk for No. 10 (5.0 mm) screws

#### Load Rating

See Hinge Selector Chart on page 180, Group A

#### Weight

Approx. 22 lb (10.0 kg) per carton

- Dual serrated adjustment plates provide quick and easy adjustment to compensate for door sag and gasket compression
- Interchangeable for right or left hand applications
- Accepts power spring conversion kits
- Zinc die cast construction
- Options for stainless steel internal parts for outside application
- Well styled ideal hinge for under cabinet and refrigerator use
- Non-rise action keeps door at constant level throughout pivot range
- Serrated micro adjustment plate allows door to cabinet correction of 1/32" for exact gasket seal and 5/32" door to opening adjustment for optimum door alignment
- Add fully adjustable spring assist to assure automatic hands-free door closure
- Includes special flange washers to bypass the flange adjustment feature for OEM mounting. User may remove in-field when adjustment is necessary
- Snap-on polished stainless steel cover hides mounting hardware and provides required seal against infestation

Part No.	Description	Offset	Qty./ Carton
11216000012	Dual Adjustable Hinge	1-1/8" (28.6 mm)	40
11216000014	Dual Adjustable Hinge	1-5/8" (41.2 mm)	40
11216000031	Solid Brass Hi-Temp Hinge	1-1/8" (28.6 mm)	24
11216000027	Spring Cartridge Kit	1-1/8" (28.6 mm)	20
11216SS0001*	Adjustable Hinge with Stainless Strap	1-1/8" (28.6 mm)	40
11216SS0027*	Spring Cartridge Kit with Stainless Pins	1-1/8" (28.6 mm)	20
91216003610095	Cover		

\* Stainless steel options are special order only

# 1216 DOUBLE ADJUSTABLE HINGE



This Hinge Selector is to assist you in choosing the correct Kason hinges for commercial refrigeration, foodservice equipment, transportation, industrial and many other uses. The Load Chart, below, shows our recommended allowable load per two hinges for each hinge group.

The data applies for normal conditions under static loading by door weight only. Other factors, such as positive or negative pressure, very high gasket compression, vibration, corrosive or abrasive atmospheres, lubrication, cam life, or structural movement are not taken into account. It is the final responsibility of the users to determine the suitability and capacity required in their specific applications.

## How to use this Chart

1. Locate the weight of your door in the far left column, headed Door Weight.
2. Find the width of your door along the bottom of the chart.
3. Where the Weight and Width column intersect, find the recommended hinge group code (A, B, etc.)
4. Select your hinges from the Kason Hinge Groups

**NOTE:** If exact dimensions and weight for your door is not shown, use the next higher width and weight.

## Load Chart

Door Weight	kg	lb	Door Width																				
			12	15	18	21	24	27	30	33	36	39	42	45	48	51	54	57	60	63	66	69	72
226.8	500		D	D	E	F	F	F	G	G	G	G	H	H	H	H	H	H	H	J	J	J	J
217.7	480		D	D	E	F	F	F	G	G	G	G	H	H	H	H	H	H	H	J	J	J	J
208.6	460		D	D	E	E	F	F	F	G	G	G	G	H	H	H	H	H	H	J	J	J	J
199.5	440		D	D	D	E	F	F	F	G	G	G	G	G	H	H	H	H	H	H	J	J	J
191.2	420		D	D	D	E	F	F	F	F	G	G	G	G	H	H	H	H	H	H	H	H	J
181.4	400		D	D	D	E	E	F	F	F	G	G	G	G	G	H	H	H	H	H	H	H	H
172.4	380		D	D	D	D	E	F	F	F	F	G	G	G	G	G	H	H	H	H	H	H	H
163.3	360		D	D	D	D	E	E	F	F	F	G	G	G	G	G	G	H	H	H	H	H	H
154.2	340		D	D	D	D	E	E	F	F	F	F	G	G	G	G	G	G	H	H	H	H	H
145.2	320		C	D	D	D	D	E	E	F	F	F	F	G	G	G	G	G	G	H	H	H	H
136.1	300		C	D	D	D	D	E	E	E	F	F	F	F	F	G	G	G	G	G	G	H	H
127.0	280		C	D	D	D	D	D	E	E	F	F	F	F	F	F	G	G	G	G	G	G	H
117.9	260		C	C	D	D	D	D	D	E	E	F	F	F	F	F	G	G	G	G	G	G	G
108.9	240		C	C	D	D	D	D	D	D	E	E	F	F	F	F	F	F	G	G	G	G	G
99.8	220		C	C	C	D	D	D	D	D	D	E	E	E	F	F	F	F	F	F	G	G	G
90.7	200		B	C	C	D	D	D	D	D	D	D	E	E	E	F	F	F	F	F	F	F	G
81.7	180		B	C	C	C	D	D	D	D	D	D	D	E	E	E	E	F	F	F	F	F	F
72.6	160		B	B	C	C	C	D	D	D	D	D	D	D	D	D	E	E	E	E	F	F	F
63.5	140		B	B	C	C	C	C	D	D	D	D	D	D	D	D	D	D	E	E	E	E	F
54.4	120		B	B	B	C	C	C	C	D	D	D	D	D	D	D	D	D	D	NR	NR	NR	NR
45.4	100		B	B	B	B	C	C	C	C	D	D	D	D	D	D	D	D	D	NR	NR	NR	NR
36.3	80		B	B	B	B	B	B	C	C	C	C	C	C	D	D	D	D	D	NR	NR	NR	NR
27.2	60		A	A	A	A	B	B	B	B	B	C	C	C	NR	NR	NR	NR	NR	NR	NR	NR	NR
18.1	40		A	A	A	A	A	A	A	A	B	B	B	B	NR	NR	NR	NR	NR	NR	NR	NR	NR
9.0	20		A	A	A	A	A	A	A	A	A	A	A	A	NR	NR	NR	NR	NR	NR	NR	NR	NR
		in.	12	15	18	21	24	27	30	33	36	39	42	45	48	51	54	57	60	63	66	69	72
		cm.	30.5	38.1	45.7	53.3	61.0	68.6	76.2	83.8	91.4	99.1	106.7	114.3	121.9	129.5	137.2	144.8	152.4	160.0	167.6	175.3	182.9

## Hinge Groups

Group	Type	Max Moment (in.-lb)	Product Families
A	Reach-In	690	0139, 0209, 0211, 0212, 0213, 0214, 0215, 0225, 1070, 1216, 1216-13, 1219, 1247*, 1257*, 1267*, 1268*, 1269*, 1367R*, 1467R*
B	Reach-In	1200	0217, 0217S, 0218, 0220, 1070A, 1071, 1220, 1510, 1511, 1512, 1513, 1521, 1522, 1530, 1531, 1532, 1533, 1556
C	Reach-In	1980	1061, 1071A, 1247*, 1257*, 1267*, 1268*, 1269*, 1367R*, 1467R*, 1550
D	Walk-In	3990	1241, 1243, 1245, 1246, 1248, 1249, 1251, 1255, 1256, 1341, 1346**
E	Walk-In	4590	1074
F	Walk-In	6930	1037, 1055, 1214, 1240, 1409, 1345***
G	Walk-In	9900	0998, 1073, 1277, 1277L, 1277S, 1277I, 1278, 1278S, 1377L, 1377, 1398
H	Walk-In	15000	1075, 1076, 1275, 1276
J	Walk-In	18000	0094
NR			Not Recommended, consult factory

\* Category A to maximize cam life and for spring versions. Reduce by 15 lb/hinge for spring option. Category C for safe static load option.

\*\* Maximum 220 lb up to 36" wide; Maximum 2940 in.-lb beyond 36"

\*\*\* Maximum 9,000 in.-lb, max 300 lb

# 1216 DOUBLE ADJUSTABLE HINGE

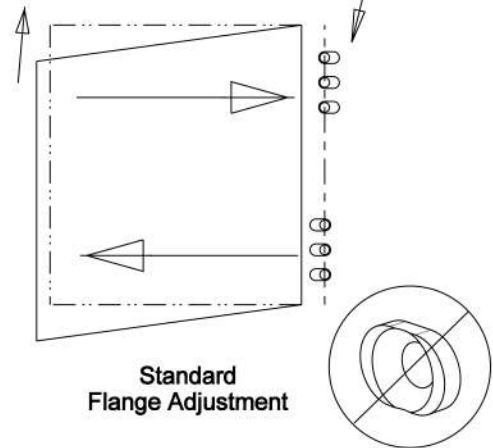
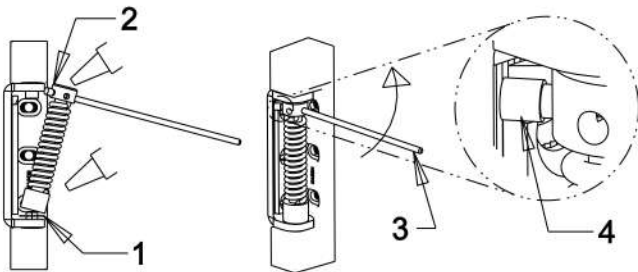
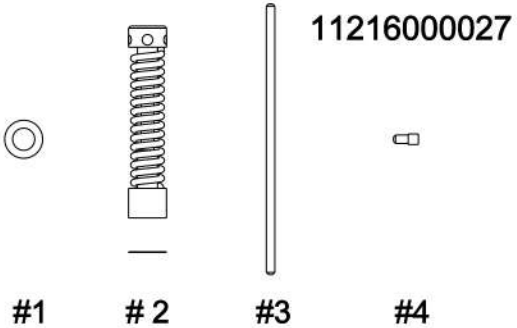
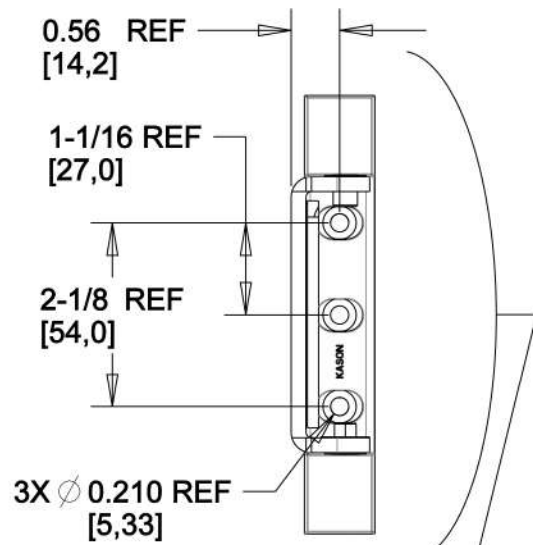
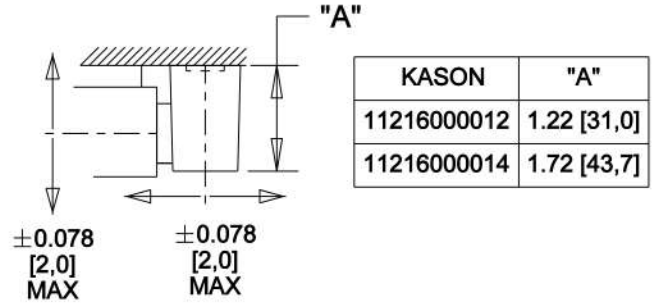
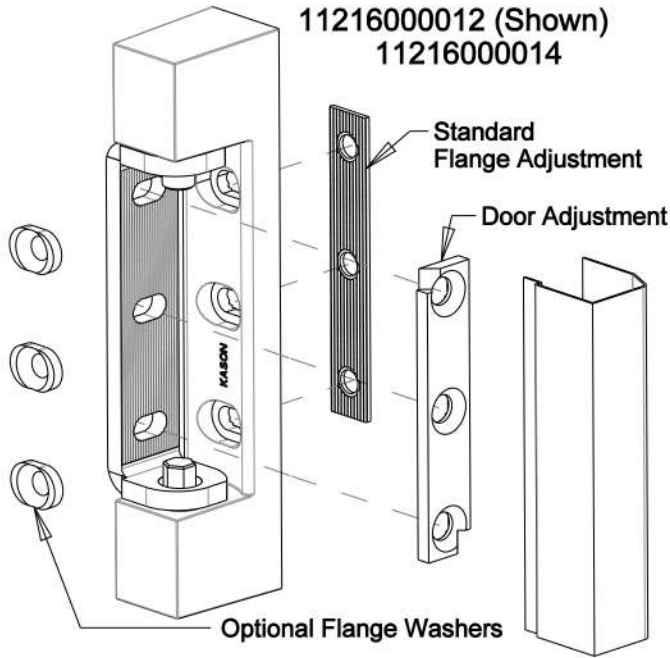


Barad Atlanta Trading LLC, Sharjah UAE

## INSTALLATION INSTRUCTIONS

### 1216 Hinge with Dual Adjustment

Part Number: 11216\*



*Part No:	Description
11216000012	Hinge, Dual Adjustment 1-1/8" Offset
11216000014	Hinge, Dual Adjustment 1-5/8" Offset
11216000027	Spring Cartridge Assembly