

## 1094 SURECLOSE™ HYDRAULIC DOOR CLOSER ( Expo Mounting )



### Specifications

#### Material

Heavy gauge steel. Housing and hook also available in stainless steel

#### Finish

Polished or brushed chrome, stainless steel, or powder coat

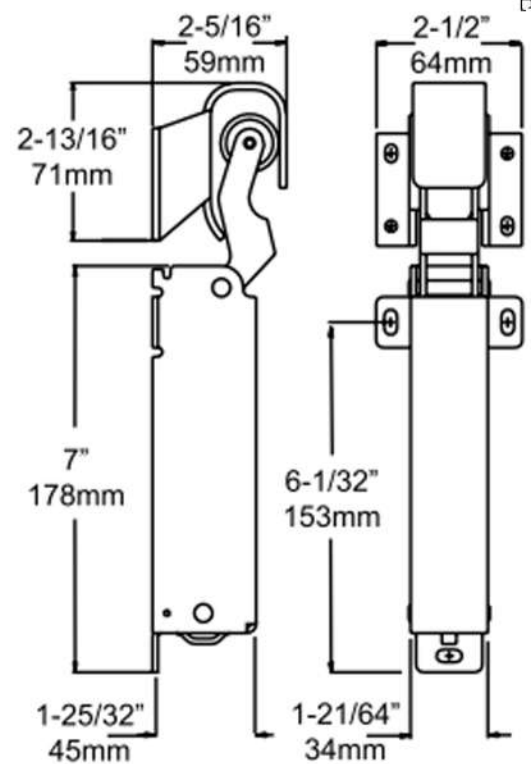
#### Mounting

Holes drilled for No. 10 (5.0 mm) screws (included)

#### Weight

See order information

- Powerful gas-loaded hydraulic cylinder guarantees controlled closure
- Exposed and concealed mounting parts
- Solid steel enclosed housing and bend-resistant hook assure long wear in heavy use
- Extra-wide hook ensures roller pick-up and overcomes alignment problems
- Life-cycle tested to operate reliably even after a half-million closures
- Perfect complement for Kason walk-in hinges and latches where self-closing doors with controlled closure are needed
- Mounting slots on hook allow for easy adjustment to compensate for door sag, keeping roller aligned with hook for proper function



Part No.	Description	Finish	Qty./ Carton*	Wgt./ Carton
11094000002	Closer, Exposed Mounting	Brushed Chrome	24	35 lb (15.6 kg)
11094000003	Closer, Exposed Mounting	Polished Chrome	24	35 lb (15.6 kg)
11094000012	Closer, Concealed Mounting	Brushed Chrome	24	35 lb (15.6 kg)
11094000013	Closer, Concealed Mounting	Polished Chrome	24	35 lb (15.6 kg)
11094500003	Dual Closer, Exposed Mounting	Polished Chrome	24	35 lb (15.6 kg)
11094500012	Dual Closer, Concealed Mounting	Brushed Chrome	24	35 lb (15.6 kg)
11094500013	Dual Closer, Concealed Mounting	Polished Chrome	24	35 lb (15.6 kg)
11094000093	Stainless Steel Closer, Concealed Mounting	Satin	24	35 lb (15.6 kg)
11094000026	Adjustable Wide Hook, Flush to 3/4" (0.0 to 19.1 mm) Offset	Polished Chrome	24	10 lb (4.5 kg)
11094000027	Adjustable Wide Hook, 7/8" to 1-5/8" (22.2 to 41.3 mm) Offset	Polished Chrome	24	13 lb (5.9 kg)
11094000026D	Adjustable Wide Hook, Flush to 3/4" (0.0 to 19.1 mm) Offset	Brushed Chrome	24	10 lb (4.5 kg)
11094000027D	Adjustable Wide Hook, 7/8" to 1-5/8" (22.2 to 41.3 mm) Offset	Brushed Chrome	24	13 lb (5.9 kg)
11094000926	Adjustable Stainless Steel Wide Hook, Flush to 3/4" (0.0 to 19.1 mm) Offset	Satin	24	10 lb (4.5 kg)
11094000927	Adjustable Stainless Steel Wide Hook, 7/8" to 1-5/8" (22.2 to 41.3 mm) Offset	Satin	24	13 lb (5.9 kg)

\*Closers and hooks packaged separately